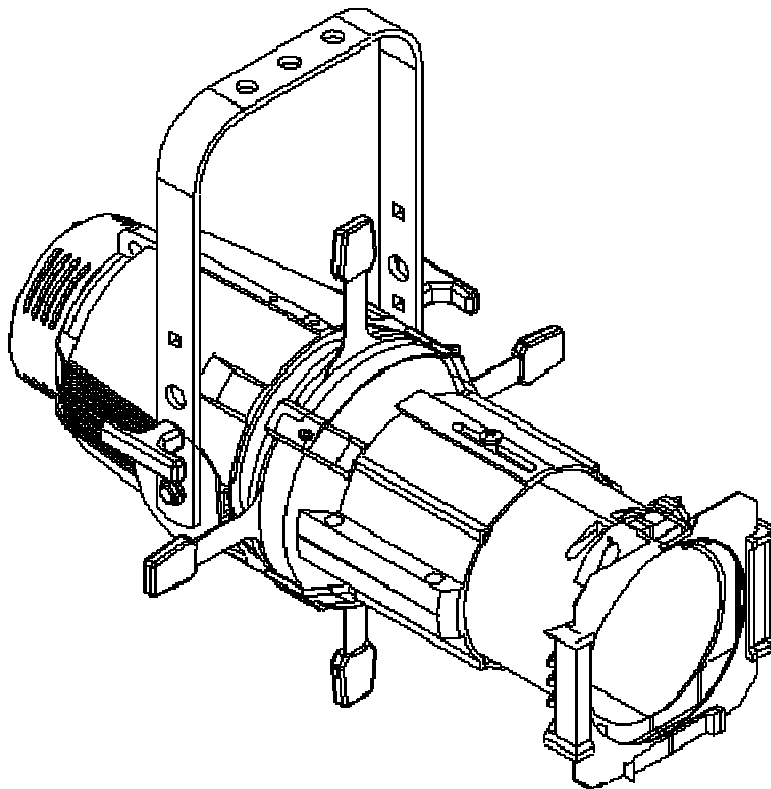


Lites

PROFILE C6

COLOUR RGBACL

Owner's and service manual



Read this manual throughout and carefully follow all the instructions contained. File this manual for future perusals. It is essential to read and follow guidelines and other information contained in this manual to ensure correct installation, service and full operations of the Lites Profile. All operations must be accomplished, handled and carried out by qualified personnel only.

NOT COMPLYNIG WITH GIVEN NOTICE WILL VOID WARRANTY AND WILL TOTALLY DISCHARGE THE MANUFACTURER FROM ANY RESPONSABILITY

www.litesrsl.com

Unpacking

Unpack the carton and gently remove Lites Profile C6 from the box. Ensure all parts and components of the Lites Profile C6 received are undamaged.

In the event the Lites Profile C6 shows any damage, do not use it and contact immediately your transporter as well as your seller.

Items in the carton consist of:

- Lites Profile C6 T luminaire
- Colour frame
- Blue Neutrik PowerCon connector
- This owner's and service manual



Safety information for the use of the Lites Profile C6 and its periodical maintenance

- Lites Profile C6 is for professional use only and NEVER for domestic use.
- Users must scrupulously comply with manufacturer's guideline that follows; any other use in contrast with the provided information will void warranty and will discharge the manufacturer from any legal responsibility
- Never use Lites Profile C6 on any flammable surfaces.
- Minimum distance from any flammable source is of 0.25m.
- Minimum throw distance from illuminated surface: 1m.
- Installation of the unit(s) must be secured with adequate clamps, safety cords, nuts and bolts to bear twice the weight of the whole unit(s)
- Always power Lites Profile C6 to safety circuit breakers. Lites Profile C6 MUST NOT and CAN NOT be operated via Phase Control Dimmer.
- Install Lites Profile C6 in ventilated ambient which temperature must not exceed + 35°C (+ 95° F)
- Caution: when in operation some outer body-parts of the Lites Profile C6 can reach temperatures of up to + 60°C (+ 140° F)
- Lites Profile C6 must be fitted with protection shields (Lenses)
- Always disconnect power, (always check twice that power is off) before Servicing/Operating the unit.
- Lites Profile C6 is rated Class I
- Protection rating IP20
- Earth connection is MANDATORY!
- LED core must never be touched in any way as it may impair its use.
- An essential and periodically throughout cleaning of the Lites Profile C6 is recommended. This practice avoids that layers of dust and other impurity put at risk and reduce the correct operation of the unit. Lenses must be cleaned; remove layers of dust that may impede and or reduce the passage of the light through the lenses. The correct and periodically maintenance keeps also fans and vents clean, this practice ensures the best conditions and performance of the Lites Profile C6. Never touch the yellow LED core in any way nor use solvents as this can irretrievably damage the LED. Protection shields (lenses) if worn out, must be replaced with new ones



CE APPROVALS

The Lites Profile products to which this manual refers to, complies with European directive pursuant to:

2014/35/EU safety of electrical equipment supplied at low voltage (LVD)

2014/30/EU Electromagnetic compatibility (EMC)

2011/65/EU Restriction of the use of certain hazardous substances (RoHS)

WARRANTY

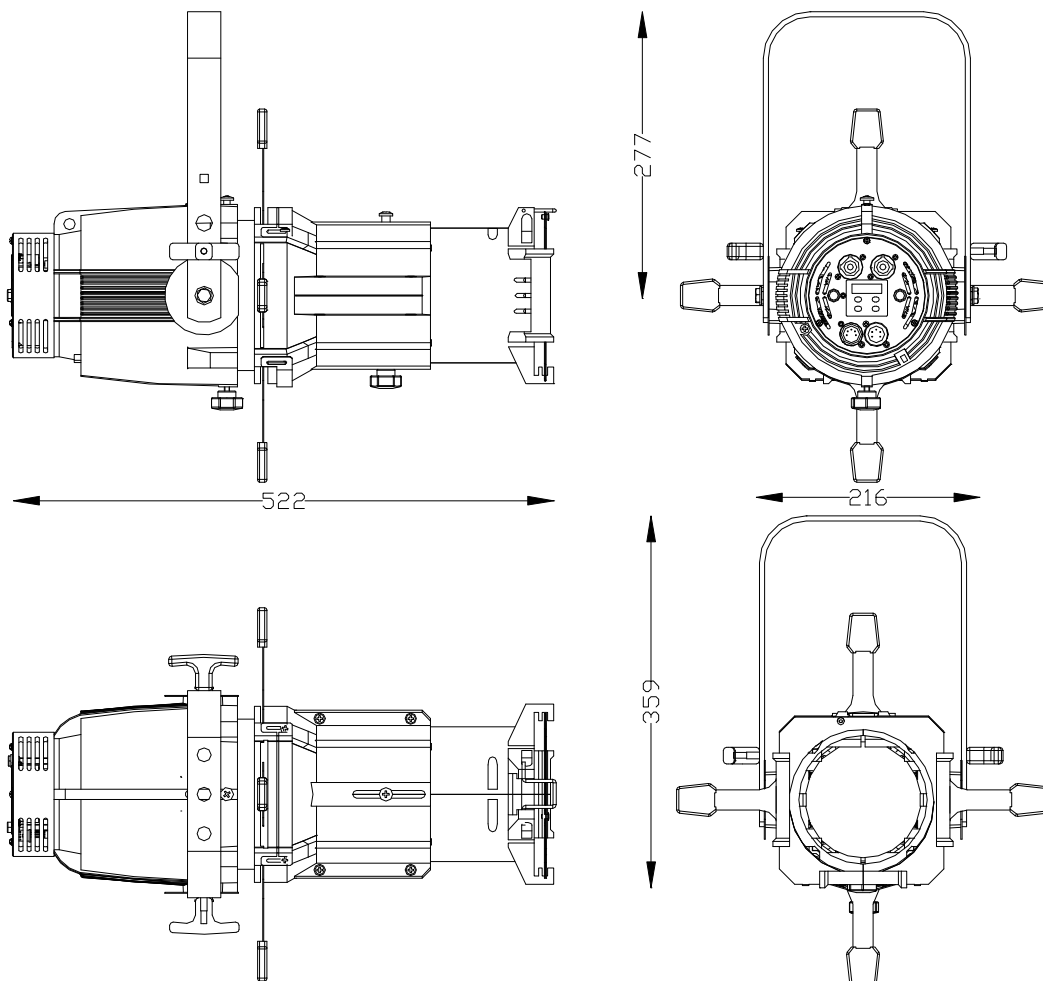
A 24-month warranty is granted on the Lites Profile C6 from its purchase's date. Warranty covers fabrication defects only, unit is not replaced but will be 100% fixed. Lites Profile C6 must be handled and used by qualified people, as if not, it will void the warranty. Warranty is also voided if qualified personnel and users do not and have not handled the Lites Profile C6 properly. Any improper and unauthorised use, such modification(s) or misapplication of the unit will also void the warranty of the product(s). Silver colour label showing technical data and serial number, if removed or if data are altered or tampered to change specs or render details illegible, will also immediately void the warranty.

Technical specifications

Power Supply	100-240 V~ 50/60Hz
Maximum power consumption	175W
cos Ø	0,98
Stand-by power consumption	3W
Minimum ambient temperature	-10°C
Maximum ambient temperature	35°C
LED Colour RGBACL:	Red; green; blue; amber; cyan; lime
30 colored presets	
LED CRI: Minimum CRI :	93> and 98>(depending on the selected white)
10 white presets from 2,300 ° K to 10,000 ° k	
LED Life	(30,000 Hours Manufacturers Specifications)
Colour frame dimensions:	163x159 mm
Aluminium die-caste body to maximize heat dissipation	
Weight	7,5 Kg
IP Rating	20
Working position	Any
Power connectors	IN & OUT Neutrik PowerCon
Data connectors	IN & OUT XRL5
Data protocols	DMX 512; RDM ready
User interface	4-digit display and 4 buttons
Manual operation:	Users must operate via buttons provided on the display
Fan control:	Fan speed adjustment
Control of LED frequency:	Selection of LED frequency refresh
4 Dimming curves control:	Selection of four dimming curves control
accessories:	Iris diaphragm; Gobo holder (size B Ø 86 mm, image Ø 66mm)

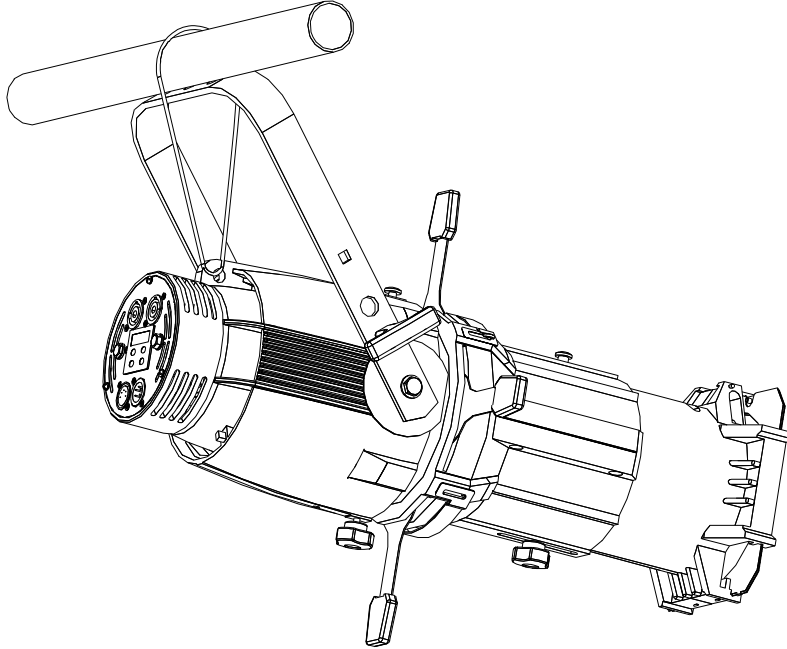
CE Compliant

Dimensions (see Picture):



Lites Profile C6 installation

Lites Profile C6 is delivered with a robust yoke that hosts 3 x 12 mm mounting holes. The use of an adequate G-clamp to sustain at least twice the weight of the Lites Profile C6 (Lites Profile C6 weighs 7,5 kg) and/or M10 screw is mandatory. The use of safety chain(s) to sustain twice the weight of the Lites Profile C6 is also mandatory; the safety chain adds more protections and safety to users and third parties. Eye-lid for the safety chain is provided on the Lites Profile C6. The unit can be installed in any position (See Fig)



Connection to mains

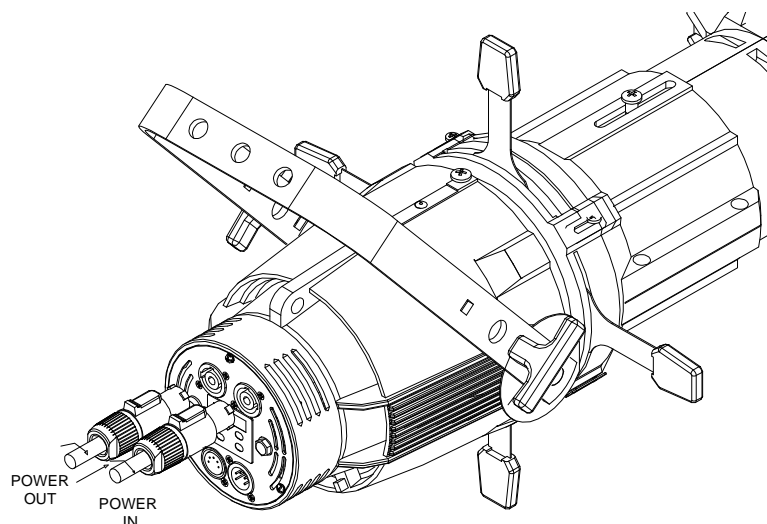
WARNING! Installation(s) must be accomplished, handled and carried out by qualified personnel only and must comply & meet with all norms in force in the installation's country

Lites Profile C6 is supplied with a free Blue Neutrik PowerCon plug that must be wired using a 3x1.5mm² lead Additional specifications include:

- Operating Voltage: 300/500V
- Test Voltage: 2KV
- Operating Temperature: -10°C / +35°C (- 14° F / +90° F)

Connect blue wire to N terminal, brown wire to L terminal and Yellow/Green wire to earth terminal. Ensure to connect to safety circuit breakers at all times. When connected to 230VAC, daisy chain must not exceed the quantity of 10 units and 5 units when connected to 110VAC. Maximum daisy chain cable length: 20m.

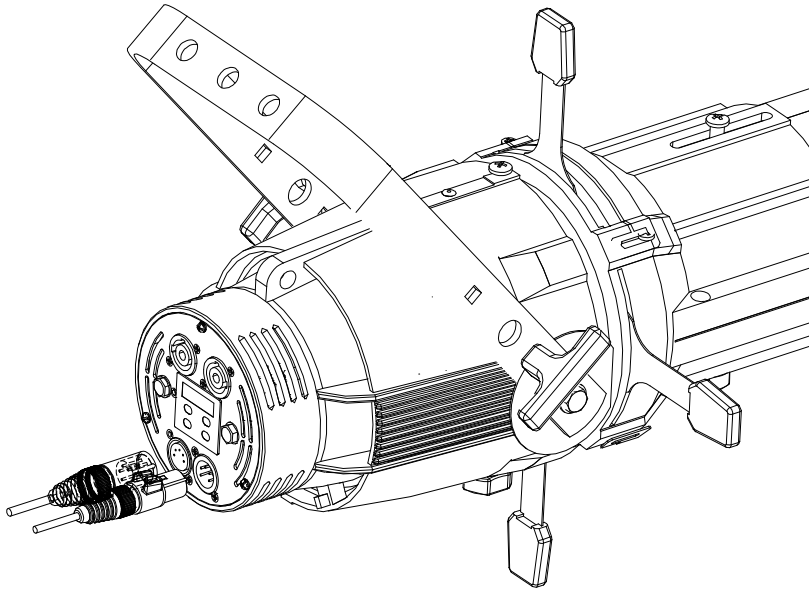
WARNING: NEVER CONNECT LITES PROFILE C6 ENGINE TO ANGLE PHASE DIMMER PACK NOR TO NON- DIM MODE



⚠ Signal control connection

Lites Profile C6 can be operated via either DMX512A and or RDM ready Protocols. For Daisy chain DMX line use a-2 lead wire plus shield.

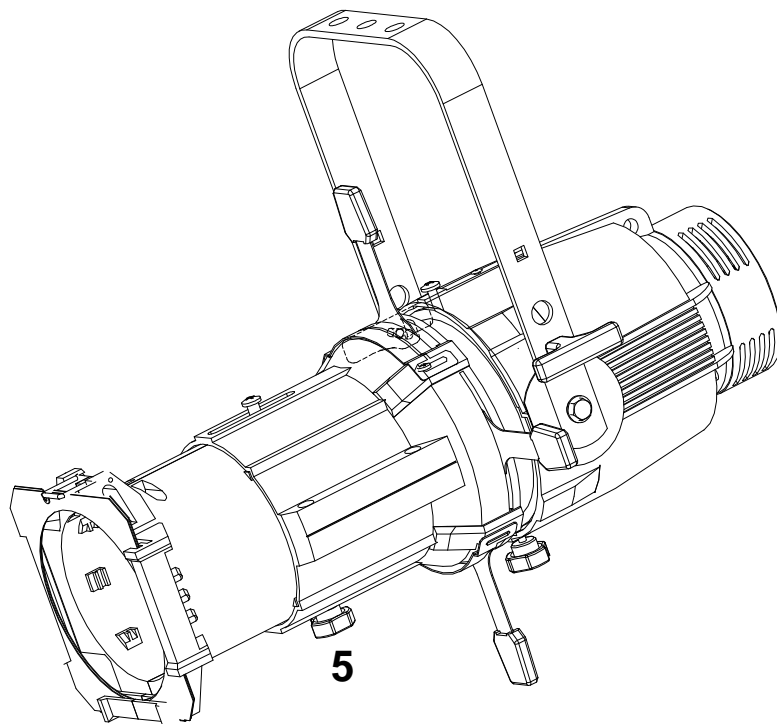
Important note: when DMX is available a red dot will illuminate on the right hand of the display. When red dot is off no DMX signal is available.



DMX XLR 5 Pin Assignment	
Pin	Description
1	GND
2	DMX-
3	DMX+
4	Not connected
5	Not connected

Focus

Loosen knob 5 than adjust optics to focus light projected



Shutter blades

There are 4 shutter blades, to shape patterns

Installations of the accessories

Gel frame

Lites Profile C6 is delivered with a standard 163x159mm colour frame. The LED source used on Lites Profile C6 allows the use of colour filters that cannot be used with high wattage tungsten lamps. Ensure that accessories when installed on the Lites Profile C6 are securely fitted in the gates and that are engaged and secured by the spring lock provided. (See figure)

Gobo holder

Standard gobo holder (not included) can be used to house gobos 'size B' (Ø 86 mm, Ø 66 mm). Ensure gobo holder is securely engaged in its gate so to avoid injuries to third parties in case this accessory comes out of its place

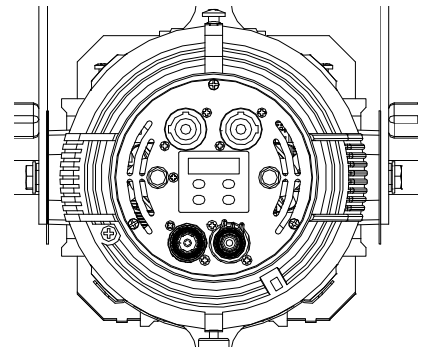
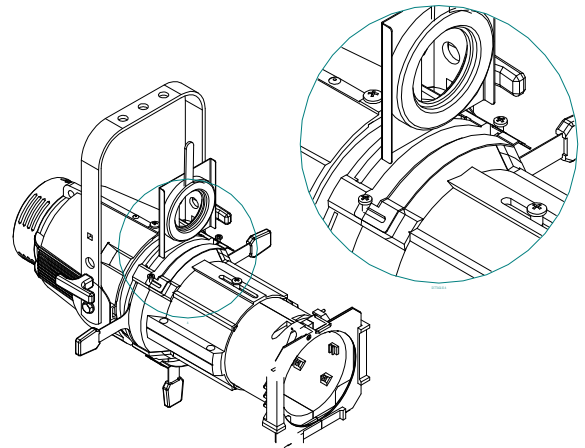
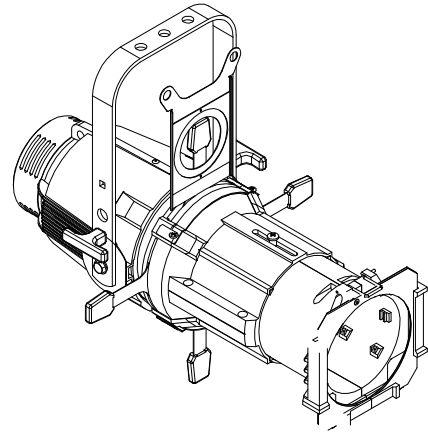
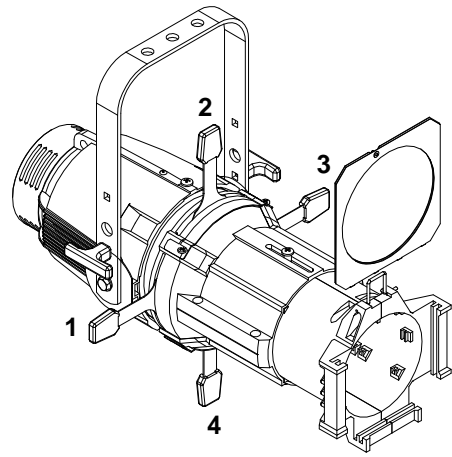
Iris diaphragm

Diameter of the projected image maybe changed in sizes with the use of an iris diaphragm (not included). To set Iris into its housing loosen the two M4 screws and move the bulkhead (see fig.). Ensure that iris is secured into its gate to avoid injuries to third parties in the event it comes out of its place.

Power Lites Profile C6 ON

WARNING! Before powering Lites Profile C6 ensure that all installation(s) procedure(s) have(s) been properly set learnt and accomplished.

When Lites Profile C6 is powered the setup display will show the software release version. The UP, DOWN, ENTER and ESC buttons allow the operations of Lites Profile C6 menu. UP and DOWN buttons allow to browse through menu options, the ENTER button is to confirm selection. The ESC button is to return to the previous menu or to quit previous setting(s).



RDM – Remote Device Management

RDM Controller allows for remote standard operations

RDM default options include:

Discovery mode: RDM is active when controller detects this mode; the device reports the presence of the Lites Profile C6 by giving a flash of light (Controller sets the device to a listing to read: settings, DMX address, personality settings, i.e. DMX mode including all the above mentioned DMX values)

ON/OFF "Identify": This mode is to identify the manufacturer's device (Lites srl) -Flash of light is to confirm selection -

Model information (HPLED-BUCK)

Software version information (HPLED-BUCK v.x.xx)

Mode to reveal temperatures of the LED and of the driver

Mode to reveal hour-meters of the LED and of the device

The device allows RDM protocol, ANSI E1.20-010 version

<i>RDM Device Model ID</i>
5445:1214xxxx

The following parameters are allowed:

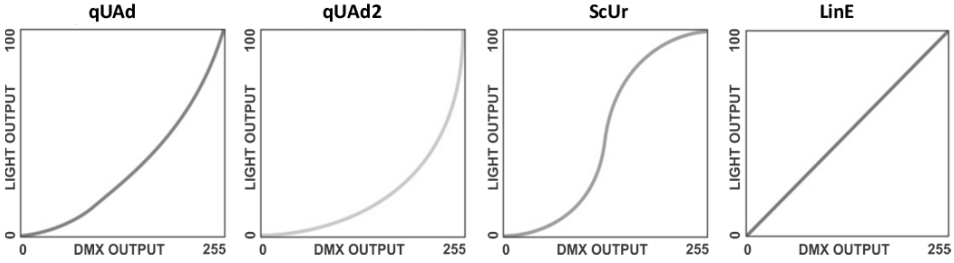
<i>Denominazione Plasa/ESTA</i>	<i>RDM PID Value</i>	<i>Get</i>	<i>Set</i>	<i>Descrizione</i>
CATEGORY – NETWORK MANAGEMENT				
DISC UNIQUE BRANCH	0x0001			Message related to Discovery RDM process
DISC MUTE	0x0002			Message related to Discovery RDM process
DISC UN MUTE	0x0003			Message related to Discovery RDM process
CATEGORY – RDM INFORMATION				
SUPPORTED PARAMETERS	0x0050	X		List of allowed parameters
PARAMETER DESCRIPTION	0x0051	X		Parameters description <i>Manufacturer specific</i>
CATEGORY – PRODUCT INFORMATION				
DEVICE INFO	0x0060	X		Reading of following parameters: - Protocol RDM version - Device Model ID - Product category - sw version ID - number of DMX channels - DMX mode index - DMX address - number of sensors
DEVICE MODEL DESCRIPTION	0x0080	X		Text description <i>device model</i> HPLED-II-COLOR6
MANUFACTURER LABEL	0x0081	X		Text description <i>manufacturer</i> LITES
SOFTWARE VERSION LABEL	0x00C0	X		Text description <i>sw version</i> HPLED-II-COLOR6 v.1.xx
CATEGORY – DMX512 SETUP				
DMX PERSONALITY	0x00E0	X	X	DMX mode setting
DMX PERSONALITY DESCRIPTION	0x00E1	X		Text description DMX mode
DMX START ADDRESS	0x00F0	X	X	DMX address setting/reading
CATEGORY – SENSORS				
SENSOR DEFINITION	0x0200	X		Value related to the sensor
SENSOR VALUE	0x0201	X	X	Parameter for the visualisation of values read by [Board / Led Temperature °C]
CATEGORY – DIMMER SETTINGS (ADDITIONAL MESSAGES)				
CURVE	0x0343	X	X	Parameter for gamma correction (gamma) selection
CURVE DESCRIPTION	0x0344	X		Description of gamma correction parameter
OUTPUT RESPONSE TIME	0x0345	X	X	Parameter related to output smoothness (smooth)
OUTPUT RESPONSE TIME DESCRIPTION	0x0346	X		Output smoothness parameter description
MODULATION FREQUENCY	0x0347	X	X	Parameter related to the selection of pmw signal frequency
MODULATION FREQUENCY DESCRIPTION	0x0348	X		Description of parameter related to the selection of pmw signal frequency
CATEGORY – POWER/LAMP SETTINGS				
DEVICE HOURS	0x0400	X		Parameter related to the reading of device lifespan
LAMP HOURS	0x0401	X		Parameter related to the reading of maximum value hours of led ignition [max between LED1...LED6]
CATEGORY – CONTROL				
IDENTIFY DEVICE	0x1000	X		Flashing LEDs to allow visual identification of the device
CATEGORY – MANUFACTURER-SPECIFIC PIDs				
BOOST	0x9000	X	X	Read/Write BOOST value
FAN MODE	0x9001	X	X	Read/Write FAN MODE value

RDM Parameters – Values

<i>Name</i>	<i>Valid Values</i>	<i>Value Description</i>
ADDITIONAL MESSAGES		
CURVE	1 2 3 4	Read / Write GAMMA value 1 = LINEAR 2 = QUADRATIC [DEF] 3 = S-CURVE 4 = GAMMA 2.2
OUTPUT RESPONSE TIME	1 2 3 4	Read / Write SMOOTH value 1 = SMOOTH 0 → FAST [250 ms] 2 = SMOOTH 1 → MEDIUM [450ms] [DEF] 3 = SMOOTH 2 → SLOW [800 ms] 4 = SMOOTH 3 → SUPER FAST [15 ms]
MODULATION FREQUENCY	1 2 3 4 5 6 7 8 9 10	Read / Write PWM FREQUENCY value 1 = 1 kHz 2 = 2 kHz 3 = 3 kHz 4 = 4 kHz 5 = 5 Hz 6 = 6 kHz 7 = 7 kHz 8 = 8 kHz 9 = 9 kHz 10 = 10 kHz [DEF]
CATEGORY – MANUFACTURER-SPECIFIC PIDs		
BOOST	0 1	Read/Write BOOST value 0 = OFF [75%] [DEF] 1 = ON [90%]
FAN MODE	0 1 2 3	Read/Write FAN MODE value 0 = AUTO 1 = MEDIUM HIGH [DEF] 2 = MEDIUM LOW 3 = LOW

Menu items

Displayed Message	Allowed or displayed values	Function		
Addr	001..512	Set Up DMX Address		
Auto (Automatic mode)	co01 co02 co03 co04 co05 co06 co07 co08 co09 co10 co11 co12 co13 co14 co15 co16 co17 co18 co19 co20 co21 co22 co23 co24 co25 co26 co27 co28 co29 co30 co31 co32 co33 co34 co35 co36 co37 co38 co39 co40	Preset 1 red Preset 2 light red Preset 3 orange Preset 4 medium amber Preset 5 amber Preset 6 straw tint Preset 7 pale yellow Preset 8 spring yellow Preset 9 yellow Preset 10 lemon yellow Preset 11 lime Preset 12 lime green Preset 13 green Preset 14 moss green Preset 15 light cyan Preset 16 cyan Preset 17 peacock blue Preset 18 summer blue Preset 19 bright blue Preset 20 light steel blue Preset 21 light blue Preset 22 slate blue Preset 23 blue Preset 24 deep lavender Preset 25 lavender Preset 26 magenta Preset 27 rose pink Preset 28 dark pink Preset 29 bright pink Preset 30 Rainbow Preset 31 white 2300°k Preset 32 white 2700°k Preset 33 white 3200°k Preset 34 white 4000°k Preset 35 white 5600°k Preset 36 white 6500°k Preset 37 white 7000°k Preset 38 white 8000°k Preset 39 white 9000°k Preset 40 white 10000°k	<p>It's possible to select 30 colored presets and 10 fixed white presets, without the aid of the DMX 512 signal. By selecting the value indicated from co01 to co40 you choose the combined color. When you turn off the projector the selected preset will be saved. In each preset you can change the output color level.</p> <p>Select the preset that needs to be to be changed. If you press once the Enter button, the display will show r (red) with the set value, then if you keep pressing Enter, G (green), b (blue), A (amber), c (cyan), L (lime), S (strobe), n (Rainbow), d (dimmer) will be displayed one by one. Use the Up and Down button to adjust the level of the 6 colors + the 3 functions n (rainbow), S (strobe), d (dimmer), pressing them one by one from 0 to 255, to determine the output color. Always confirm with Enter to save the settings.</p>	
	Pr01 Pr02 Pr03 Pr04	Program 1: auto Program 2: auto Program 3: auto Program 4: auto	Automatic mode without DMX 512 Protocol signal. Program selections run between Pr01 through Pr 04. Both programs can be modified. To change program select Enter then view (Scn0...Scn6; max scenes of each program). Clicking on enter once more it shows P.00.0 (time) followed by F.00.0 (speed) and ultimately the last view shows 1c.01... though c40 (colour to be assigned to each scene) The use of UP/Down keys allow for setting values. When selections are completed press enter to confirm.	
MASL	Master Mode	The Master Mode uses the same settings as the Auto Menu. The only exception is that when all fixtures are connected to DMX 001 in daisy-chain, they perform the same presets and or the same presets selected on the Master fixture. The slave projectors must be set in 9ch mode.		

ModE	12 ch (D)	RGBACL 12 ch (default)	Dmx mode (view next page)
	2 ch	2 ch	
	16 ch	RGBACL 16 ch (16 bit)	
	6 ch	RGBACL 6 ch	
	RGB	RGB 6 ch	
	HSI	Studio HSI 6 ch	
	9ch	9 ch	
	16ch	16 ch (setting options)	
drUt	..°C	Shows driver operating temperature	
LEdt	..°C	Shows leds operating temperature	
PUM	0..100%	Shows current led power (0-100%)	
SMoo	SFAST FAST MED SLOW	DMX data Speed adjustment	
GAMM	qUAd SCUr qUAd2 LIInE	 <p>Dimming curves available</p>	
FrEq	1K 2K 3K 4K 5K 6K 7K 8K 9K 10K	LED operation frequency	
booS	Off on	When OFF, LED max flux : 90% When ON, LED max flux : 100%	
FAn	Aut MEDH MEDL LOW	4 fan operating modes i.e automatic, medium fast, medium slow, slow speed. Fan speed adjustments (fan-sound) reflect on self-correct output LED brightness and other factors as room-temperature, number of engaged channels	
PoS	AA VV	Display orientation selection: AA = normal VV = inverted	
StbY	Off on	Standby display activity: off = display always switched on = display switched off after few seconds of buttons inactivity (only the right side dot will be lighted to indicate DMX availability)	
dEF	SUR	ON Will restore the default factory values	
SoFt		Shows Software version	

DMX Operating Modes (Mode)

Selecting 1 of the 8 available modes it enables the number of channels required, and its relevant modes, needed to operate LITES PROFILE C6

mode 12 ch RGBACL (default)

Ch	Function	Dmx levels	
1	red	0..255	From 0 to max 255
2	green	0..255	From 0 to max 255
3	blue	0..255	From 0 to max 255
4	amber	0..255	From 0 to max 255
5	cyan	0..255	From 0 to max 255
6	lime	0..255	From 0 to max 255
7	strobe	0...15	Strobo disengaged
		16...255	Strobo from slow (16) to fast (255)
8	Rainbow	0..15	Rainbow disengaged
		16..255	Rainbow from slow (16) to fast (255)
9	dimmer	0..255	From 0 to max 255
10 (priority on channel 11)	White selection	0...15	Deserted whites
		16...17	2300°k cri 93
		18...38	from 2300°k to 2700°k
		39...40	2700°k cri 97
		41...61	from 2700°k to 3200°k
		62...63	3200°k cri 98
		64...84	from 3200°k to 4000°k
		85...86	4000°k cri 95
		87...107	from 4000°k to 5600°k
		108...109	5600°k cri 98
		110...130	from 5600°k to 6500°k
		131...132	6500°k cri 95
		133...153	from 6500°k to 7000°k
		154...155	7000°k cri 93
		156...176	from 7000°k to 8000°k
		177...178	8000°k cri 96
		179...199	from 8000°k to 9000°k
		200...201	9000°k cri 93
		202...222	from 9000°k to 10000°k
	223...225	10000°k cri 95	
	3200°k halogen lamp operation	226...255	halogen lamp dimming simulation
11	Color selection	0...15	No color
		16..23	red
		24...31	light red
		32...39	orange
		40...47	medium amber
		48...55	amber
		56...63	straw tint
		64...71	pale yellow
		72...79	spring yellow
		80...87	yellow
		88...95	lemon yellow
		96...103	lime
		104...111	lime green
		112...119	green
		120...127	moss green
		128...135	light cyan
		136...143	cyan
		144...152	peacock blue
		153...159	summer blue
		160...167	bright blue
		168...175	light steel blue
		176...183	light blue
		184...191	slate blue
		192...199	blue
		200...207	deep lavender
		208...215	lavender
		216...223	magenta
224...231	rose pink		
232...239	dark pink		
240...247	bright pink		
248...255	FULL RGBACL		
12	Fan speed	0..25	Auto speed or set from menu
		26..255	Fan speed from slow to fast

mode 2 ch

1	Color selection	0...15	No color
		16...20	red
		21...25	light red
		26...30	orange
		31...35	medium amber
		36...40	amber
		41...45	straw tint
		46...50	pale yellow
		51...55	spring yellow
		56...60	yellow
		61...65	lemon yellow
		66...70	lime
		71...75	lime green
		76...80	green
		81...85	moss green
		86...90	light cyan
		91...95	cyan
		96...100	peacock blue
		101...105	summer blue
		106...110	bright blue
		111...115	light steel blue
		116...120	light blue
		121...125	slate blue
		126...130	blue
		131...135	deep lavender
		136...140	lavender
		141...145	magenta
		146...150	rose pink
		151...155	dark pink
	156...160	bright pink	
	161...165	Full RGBACL	
	White selection	166...170	white 2300°k
		171...175	white 2700°k
176...180		white 3200°k	
181...185		white 4000°k	
186...190		white 5600°k	
191...195		white 6500°k	
196...200		white 7000°k	
201...205		white 8000°k	
206...210		white 9000°k	
211...215		white 10000°k	
Rainbow	216...225	Rainbow from slow (191) to fast(229) Sequence rainbow R-G-B-A-C-L	
3200 ° k halogen lamp operation	226...255	halogen lamp dimming simulation	
2	dimmer	0..255	From 0 to max 255

mode 16 ch RGBACL 16 bit

Ch	Function	dmx levels	
1	red	0..255	From 0 to max 255
2	Red fine	0..255	Red fine tune adjustment
3	green	0..255	From 0 to max 255
4	Green fine	0..255	Green fine tune adjustment
5	blue	0..255	From 0 to max 255
6	Blue fine	0..255	Blue fine tune adjustment
7	amber	0..255	From 0 to max 255
8	amber fine	0..255	amber fine tune adjustment
9	cyan	0..255	From 0 to max 255
10	cyan fine	0..255	cyan fine tune adjustment
11	lime	0..255	From 0 to max 255
12	lime fine	0..255	lime fine tune adjustment
13	strobe	0...15	Strobe disengaged
		16...255	Strobo from slow (16) to fast (255)
14	dimmer	0..255	From 0 to max 255
15	Dimmer fine	0..255	Adjustment of global fine light intensity
16	Fan speed	0..25	Auto speed or set from menu
		26..255	Fan speed from slow to fast

mode 6. ch RGBACL

Ch	Function	dmx levels	
1	red	0..255	From 0 to max 255
2	green	0..255	From 0 to max 255
3	blue	0..255	From 0 to max 255
4	amber	0..255	From 0 to max 255
5	cyan	0..255	From 0 to max 255
6	lime	0..255	From 0 to max 255

mode 6.RGB 6 ch

1	Red	0..255	From 0 to max 255
2	Green	0..255	From 0 to max 255
3	Blue	0..255	From 0 to max 255
4	Dimmer	0..255	From 0 to max 255
5	strobe	0...15	Strobe disengaged
		16...255	Strobo from slow (16) to fast (255)
6	Fan speed	0..24	Auto speed or set from menu
		25..255	Fan speed from slow to fast

mode 9 ch

Ch	Function	dmx levels	
1	red	0...255	From 0 to max 255
2	green	0...255	From 0 to max 255
3	blue	0...255	From 0 to max 255
4	amber	0...255	From 0 to max 255
5	cyan	0...255	From 0 to max 255
6	lime	0...255	From 0 to max 255
7	strobe	0...15	Strobo disingaged
		16...255	Strobo from slow (16) to fast (255)
8	Rainbow	0...15	Rainbow disingaged
		16...255	Rainbow from slow (16) to fast (255)
9	dimmer	0...255	From 0 to max 255

mode 6.HSI STUDIO 6 ch

1	Hue	0..255	Hue selection, following levels R, R+L, R+G+L, G+L,G, G+C,G+B+C, B+C, B B+A, R+B+A, R+A, R
2	Saturation	0..255	Color saturation with set color in the Hue channel
3	Dimmer	0..255	From 0 to max 255
4	strobe	0...15	Strobe disingaged
		16...255	Strobo from slow (16) to fast (255)
5 (priority on channel 1)	Selection whites	0...15	Whites off
		16...18	2300°k cri 93
		19...41	from 2300°k to 2700°k
		42...44	2700°k cri 97
		45...67	from 2700°k to 3200°k
		68...70	3200°k cri 98
		71...93	from 3200°k to 4000°k
		94...96	4000°k cri 95
		97...119	from 4000°k to 5600°k
		120...122	5600°k cri 98
		123...145	from 5600°k to 6500°k
		146...148	6500°k cri 95
		149...171	from 6500°k to 7000°k
		172...174	7000°k cri 93
		175...197	from 7000°k to 8000°k
		198...200	8000°k cri 96
		201...223	from 8000°k to 9000°k
224...226	9000°k cri 93		
227...249	from 9000°k to 10000°k		
250...255	10000°k cri 95		
6	Fan speed	0..24	Auto speed or set from menu
		25..255	Fan speed from slow to fast

mode 16.F RGBACL setting options

Ch	Function	Dmx levels	
1	red	0..255	From 0 to max 255
2	green	0..255	From 0 to max 255
3	blue	0..255	From 0 to max 255
4	amber	0..255	From 0 to max 255
5	cyan	0..255	From 0 to max 255
6	lime	0..255	From 0 to max 255
7	strobe	0...15	Strobo disengaged
		16...255	Strobo from slow (16) to fast (255)
8	Rainbow	0..15	Rainbow disengaged
		16..255	Rainbow from slow (16) to fast (255)
9	dimmer	0..255	From 0 to max 255
10 (priority on channel 11)	White selection	0...15	Deserted whites
		16...17	2300°k cri 93
		18...38	from 2300°k to 2700°k
		39...40	2700°k cri 97
		41...61	from 2700°k to 3200°k
		62...63	3200°k cri 98
		64...84	from 3200°k to 4000°k
		85...86	4000°k cri 95
		87...107	from 4000°k to 5600°k
		108...109	5600°k cri 98
		110...130	from 5600°k to 6500°k
		131...132	6500°k cri 95
		133...153	from 6500°k to 7000°k
		154...155	7000°k cri 93
		156...176	from 7000°k to 8000°k
		177...178	8000°k cri 96
		179...199	from 8000°k to 9000°k
		200...201	9000°k cri 93
	202...222	from 9000°k to 10000°k	
223...225	10000°k cri 95		
	3200 ° k halogen lamp operation	226...255	halogen lamp dimming simulation
11	Color selection	0...15	No color
		16..23	red
		24...31	light red
		32...39	orange
		40...47	medium amber
		48...55	amber
		56...63	straw tint
		64...71	pale yellow
		72...79	spring yellow
		80...87	yellow
		88...95	lemon yellow
		96...103	lime
		104...111	lime green
		112...119	green
		120...127	moss green
		128...135	light cyan
		136...143	cyan
		144...152	peacock blue
		153...159	summer blue
		160...167	bright blue
		168...175	light steel blue
		176...183	light blue
		184...191	slate blue
		192...199	blue
		200...207	deep lavender
		208...215	lavender
216...223	magenta		
224...231	rose pink		
232...239	dark pink		
240...247	bright pink		
248...255	FULL RGBACL		
12	Fan speed	0..25	Auto speed or set from menu
		26..255	Fan speed from slow to fast

13	DMX data Speed adjustment	0..24	values selected from display
		25..74	SLOW
		75..124	MED
		125..174	FAST
		175..224	SFAST
		225..255	(reserved)
14	Dimming curves available	0..24	values selected from display
		25..74	qUAd
		75..124	SCUr
		125..174	qUAd2
		175..224	LInE
		225..255	(reserved)
15	Frequency Modulation (LED PWM Freq.)	0..39	values selected from display
		40..54	(reserved)
		55..69	PWM Frequency 1KHz
		70..84	PWM Frequency 2KHz
		85..99	PWM Frequency 3KHz
		100..114	PWM Frequency 4KHz
		115..129	PWM Frequency 5KHz
		130..144	PWM Frequency 6KHz
		145..159	PWM Frequency 7KHz
		160..174	PWM Frequency 8KHz
		175..189	PWM Frequency 9KHz
		190..204	PWM Frequency 10KHz
		205..219	(reserved)
220..255	(reserved)		
16	BOOST	0..24	values selected from display
		25..124	OFF
		125..224	ON
		225..255	(reserved)

Error messages

In case of malfunction, the following messages can be shown:

Led sensor error: the sensor on the led is faulty.

Overtemperature LED: the temperature on the LED exceeds the allowed limit, check if the fan is working.

Micro overtemperature: the temperature on the driver board exceeds the allowed limits, check if the fan is working.

Micro sensor error: the sensor on the driver board is faulty.

If these malfunctions occur, the LED turns off.

Avoid using the LITES PROFILE C6 and promptly contact any authorized service centre.

Periodical maintenance

To ensure the correct LITES PROFILE C6 operation, we suggest the following periodical maintenance operations:

Remove dust or any kind of other dirt from the fans and loop-holes, this operation ensures the correct air flow

Remove dust from lenses using a clean cloth. This will ensure the maximum light efficiency

Replace damaged protection screen and lenses when necessary.

Do not touch nor clean the LEDs nor the surrounded area with solvent

Device disposal information

At the end of its life, LITES PROFILE C6 must be disposed to an appropriate electrical and electronic equipment waste collection centre. Eco-friendly disposal, helps to avoid possible negative impact on the environment and human health and promotes the reuse and/or recycling of the materials making up the product. Illegal disposal involves administrative sanctions provided by laws enacted.



Note

Manufacture declines any sort of personal/corporate responsibility/liability for damages caused by people that are not scrupulously following indications given in this manual as for the inadequacy or for misuse of the product they do, as well as if the product has been handled by unqualified personnel. Not complying with security norms/periodical maintenance and all information contained and as expressed in the owner's/service manual will also totally free personal/corporate responsibility/liability. Text, wordings, drawings, specifications, modifications and other changes of this manual may apply anytime without notice. The specifications are not binding.