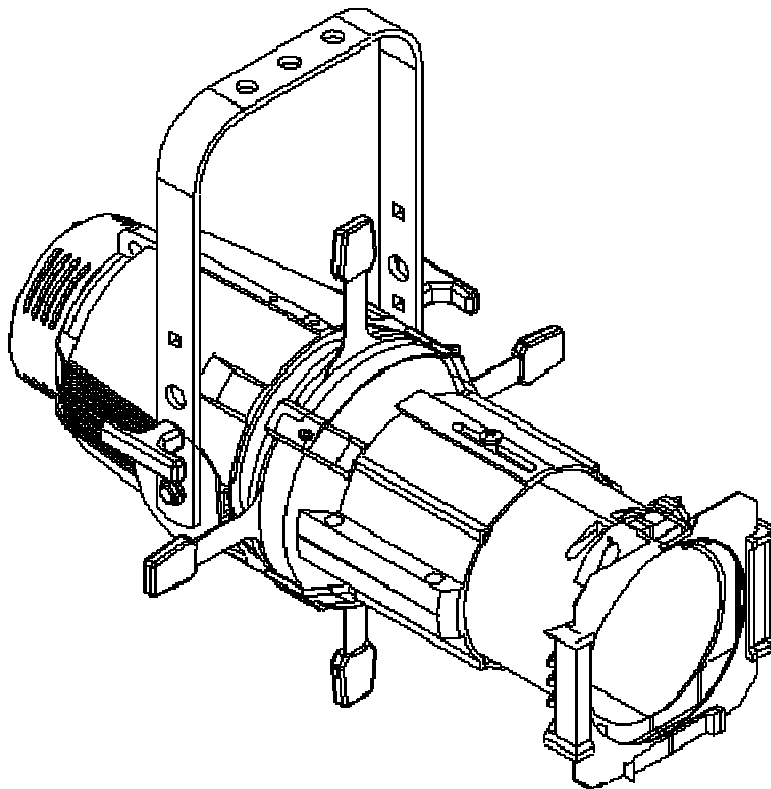


Lites

PROFILE C6

COLOUR RGBACL

Owner's and service manual



Read this manual throughout and carefully follow all the instructions contained. File this manual for future perusals. It is essential to read and follow guidelines and other information contained in this manual to ensure correct installation, service and full operations of the Lites Profile. All operations must be accomplished, handled and carried out by qualified personnel only.

NOT COMPLYNIG WITH GIVEN NOTICE WILL VOID WARRANTY AND WILL TOTALLY DISCHARGE THE MANUFACTURER FROM ANY RESPONSABILITY

www.litesrli.com

Unpacking

Unpack the carton and gently remove Lites Profile C6 from the box. Ensure all parts and components of the Lites Profile C6 received are undamaged.

In the event the Lites Profile C6 shows any damage, do not use it and contact immediately your transporter as well as your seller.

Items in the carton consist of:

- Lites Profile C6 T luminaire
- Colour frame
- Blue Neutrik PowerCon connector
- This owner's and service manual



Safety information for the use of the Lites Profile C6 and its periodical maintenance

- Lites Profile C6 is for professional use only and NEVER for domestic use.
- Users must scrupulously comply with manufacturer's guideline that follows; any other use in contrast with the provided information will void warranty and will discharge the manufacturer from any legal responsibility
- Never use Lites Profile C6 on any flammable surfaces.
- Minimum distance from any flammable source is of 0.25m.
- Minimum throw distance from illuminated surface: 1m.
- Installation of the unit(s) must be secured with adequate clamps, safety cords, nuts and bolts to bear twice the weight of the whole unit(s)
- Always power Lites Profile C6 to safety circuit breakers. Lites Profile C6 MUST NOT and CAN NOT be operated via Phase Control Dimmer.
- Install Lites Profile C6 in ventilated ambient which temperature must not exceed + 35°C (+ 95° F)
- Caution: when in operation some outer body-parts of the Lites Profile C6 can reach temperatures of up to + 60°C (+ 140° F)
- Lites Profile C6 must be fitted with protection shields (Lenses)
- Always disconnect power, (always check twice that power is off) before Servicing/Operating the unit.
- Lites Profile C6 is rated Class I
- Protection rating IP20
- Earth connection is MANDATORY!
- LED core must never be touched in any way as it may impair its use.
- An essential and periodically throughout cleaning of the Lites Profile C6 is recommended. This practice avoids that layers of dust and other impurity put at risk and reduce the correct operation of the unit. Lenses must be cleaned; remove layers of dust that may impede and or reduce the passage of the light through the lenses. The correct and periodically maintenance keeps also fans and vents clean, this practice ensures the best conditions and performance of the Lites Profile C6. Never touch the yellow LED core in any way nor use solvents as this can irretrievably damage the LED. Protection shields (lenses) if worn out, must be replaced with new ones



CE APPROVALS

The Lites Profile products to which this manual refers to, complies with European directive pursuant to:

2014/35/EU safety of electrical equipment supplied at low voltage (LVD)

2014/30/EU Electromagnetic compatibility (EMC)

2011/65/EU Restriction of the use of certain hazardous substances (RoHS)

WARRANTY

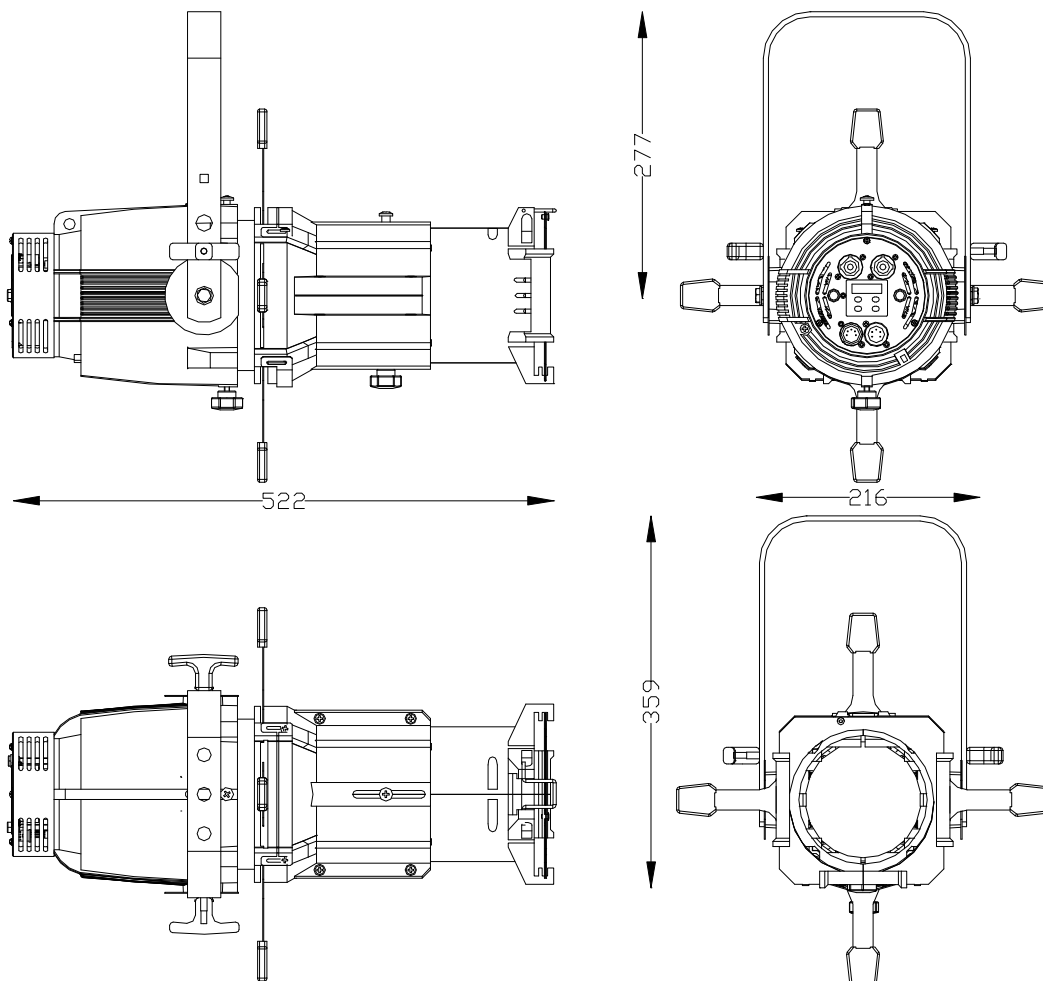
A 24-month warranty is granted on the Lites Profile C6 from its purchase's date. Warranty covers fabrication defects only, unit is not replaced but will be 100% fixed. Lites Profile C6 must be handled and used by qualified people, as if not, it will void the warranty. Warranty is also voided if qualified personnel and users do not and have not handled the Lites Profile C6 properly. Any improper and unauthorised use, such modification(s) or misapplication of the unit will also void the warranty of the product(s). Silver colour label showing technical data and serial number, if removed or if data are altered or tampered to change specs or render details illegible, will also immediately void the warranty.

Technical specifications

| | |
|---|--|
| Power Supply | 100-240 V~ 50/60Hz |
| Maximum power consumption | 175W |
| cos Ø | 0,98 |
| Stand-by power consumption | 3W |
| Minimum ambient temperature | -10°C |
| Maximum ambient temperature | 35°C |
| LED Colour RGBACL: | Red; green; blue; amber; cyan; lime |
| 30 colored presets | |
| LED CRI: Minimum CRI : | 93> and 98>(depending on the selected white) |
| 10 white presets from 2,300 ° K to 10,000 ° k | |
| LED Life | (30,000 Hours Manufacturers Specifications) |
| Colour frame dimensions: | 163x159 mm |
| Aluminium die-caste body to maximize heat dissipation | |
| Weight | 7,5 Kg |
| IP Rating | 20 |
| Working position | Any |
| Power connectors | IN & OUT Neutrik PowerCon |
| Data connectors | IN & OUT XRL5 |
| Data protocols | DMX 512; RDM ready |
| User interface | 4-digit display and 4 buttons |
| Manual operation: | Users must operate via buttons provided on the display |
| Fan control: | Fan speed adjustment |
| Control of LED frequency: | Selection of LED frequency refresh |
| 4 Dimming curves control: | Selection of four dimming curves control |
| accessories: | Iris diaphragm; Gobo holder (size B Ø 86 mm, image Ø 66mm) |

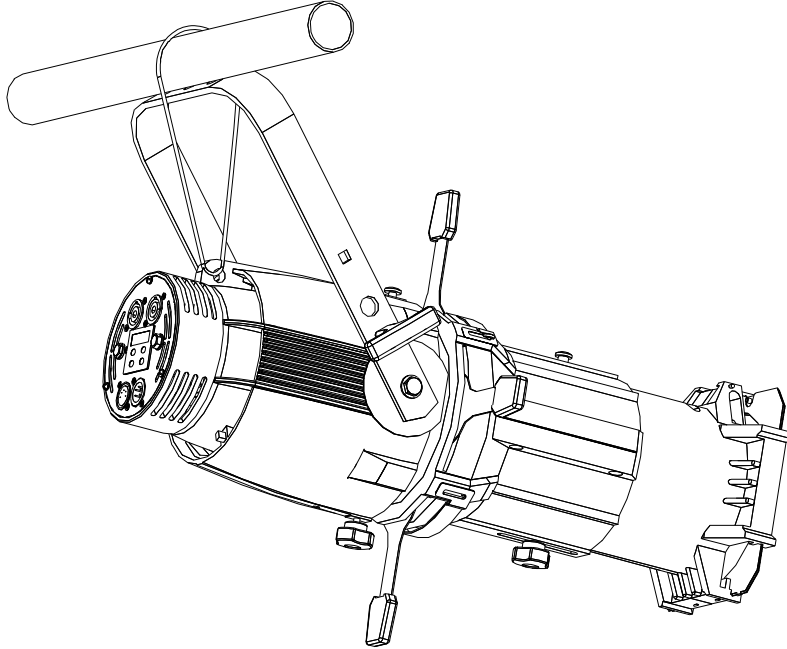
CE Compliant

Dimensions (see Picture):



Lites Profile C6 installation

Lites Profile C6 is delivered with a robust yoke that hosts 3 x 12 mm mounting holes. The use of an adequate G-clamp to sustain at least twice the weight of the Lites Profile C6 (Lites Profile C6 weighs 7,5 kg) and/or M10 screw is mandatory. The use of safety chain(s) to sustain twice the weight of the Lites Profile C6 is also mandatory; the safety chain adds more protections and safety to users and third parties. Eye-lid for the safety chain is provided on the Lites Profile C6. The unit can be installed in any position (See Fig)



Connection to mains

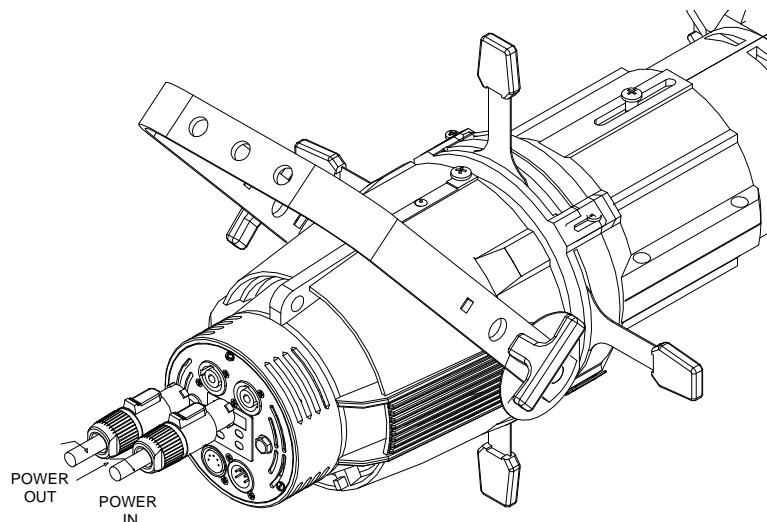
WARNING! Installation(s) must be accomplished, handled and carried out by qualified personnel only and must comply & meet with all norms in force in the installation's country

Lites Profile C6 is supplied with a free Blue Neutrik PowerCon plug that must be wired using a 3x1.5mm² lead Additional specifications include:

- Operating Voltage: 300/500V
- Test Voltage: 2KV
- Operating Temperature: -10°C / +35°C (- 14° F / +90° F)

Connect blue wire to N terminal, brown wire to L terminal and Yellow/Green wire to earth terminal. Ensure to connect to safety circuit breakers at all times. When connected to 230VAC, daisy chain must not exceed the quantity of 10 units and 5 units when connected to 110VAC. Maximum daisy chain cable length: 20m.

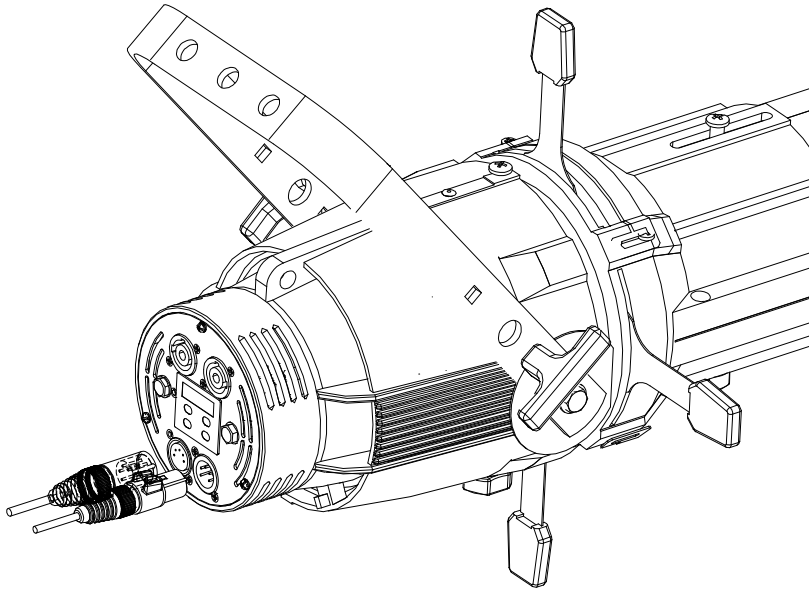
! WARNING: NEVER CONNECT LITES PROFILE C6 ENGINE TO ANGLE PHASE DIMMER PACK NOR TO NON- DIM MODE



Signal control connection

Lites Profile C6 can be operated via either DMX512A and or RDM ready Protocols. For Daisy chain DMX line use a-2 lead wire plus shield.

Important note: when DMX is available a red dot will illuminate on the right hand of the display. When red dot is off no DMX signal is available.



| DMX XLR 5 Pin Assignment | |
|--------------------------|---------------|
| Pin | Description |
| 1 | GND |
| 2 | DMX- |
| 3 | DMX+ |
| 4 | Not connected |
| 5 | Not connected |

RDM – Remote Device Management

RDM Controller allows for remote standard operations

RDM default options include:

Discovery mode: RDM is active when controller detects this mode; the device reports the presence of the Lites Profile C6 by giving a flash of light (Controller sets the device to a listing to read: settings, DMX address, personality settings, i.e. DMX mode including all the above mentioned DMX values)

ON/OFF "Identify": This mode is to identify the manufacturer's device (Lites srl) -Flash of light is to confirm selection -

Model information (HPLED-BUCK)

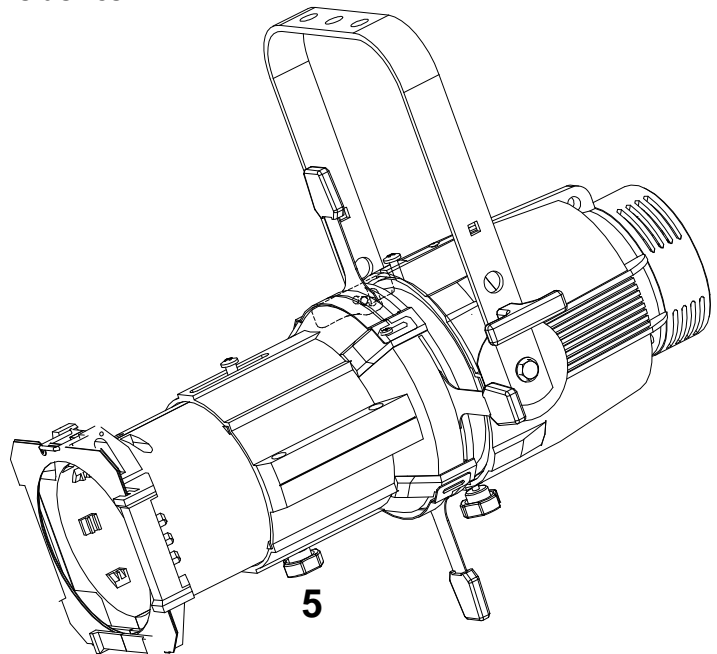
Software version information (HPLED-BUCK v.x.xx)

Mode to reveal temperatures of the LED and of the driver

Mode to reveal hour-meters of the LED and of the device

Focus

Loosen knob 5 than adjust optics to focus light projected



Shutter blades

There are 4 shutter blades, to shape patterns

Installations of the accessories

Gel frame

Lites Profile C6 is delivered with a standard 163x159mm colour frame. The LED source used on Lites Profile C6 allows the use of colour filters that cannot be used with high wattage tungsten lamps. Ensure that accessories when installed on the Lites Profile C6 are securely fitted in the gates and that are engaged and secured by the spring lock provided. (See figure)

Gobo holder

Standard gobo holder (not included) can be used to house gobos 'size B' (Ø 86 mm, Ø 66 mm). Ensure gobo holder is securely engaged in its gate so to avoid injuries to third parties in case this accessory comes out of its place

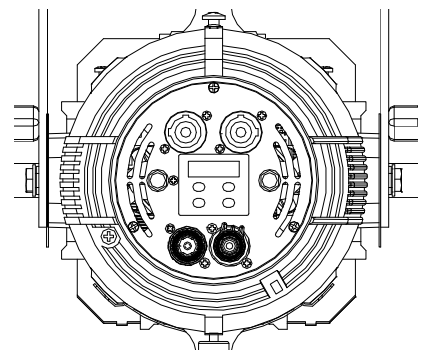
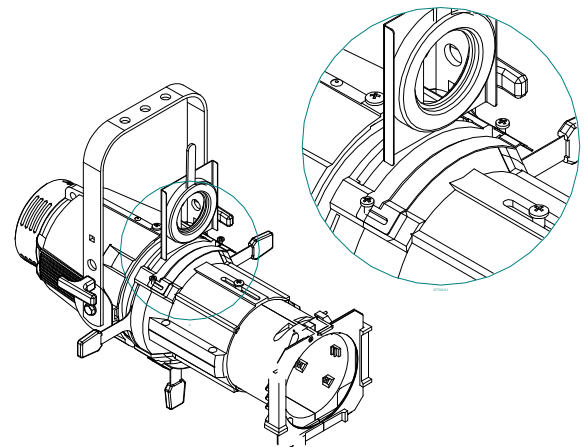
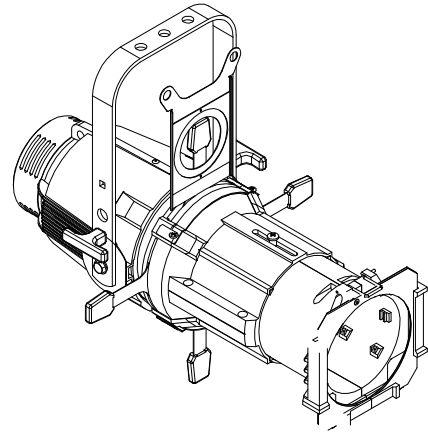
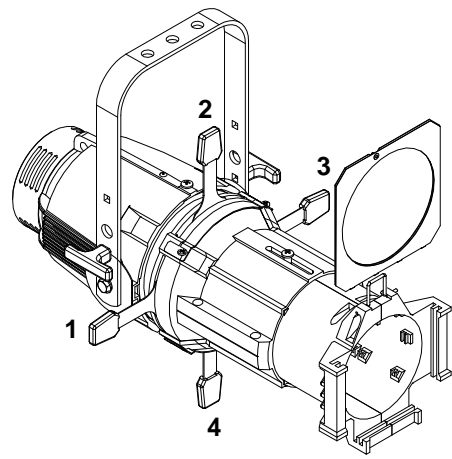
Iris diaphragm

Diameter of the projected image maybe changed in sizes with the use of an iris diaphragm (not included). To set Iris into its housing loosen the two M4 screws and move the bulkhead (see fig.). Ensure that iris is secured into its gate to avoid injuries to third parties in the event it comes out of its place.

Power Lites Profile C6 ON

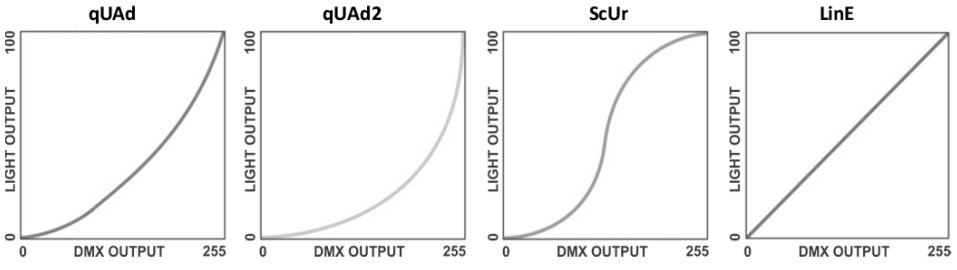
WARNING! Before powering Lites Profile C6 ensure that all installation(s) procedure(s) have(s) been properly set learnt and accomplished.

When Lites Profile C6 is powered the setup display will show the software release version. The UP, DOWN, ENTER and ESC buttons allow the operations of Lites Profile C6 menu. UP and DOWN buttons allow to browse through menu options, the ENTER button is to confirm selection. The ESC button is to return to the previous menu or to quit previous setting(s).



Menu items

| Displayed Message | Allowed or displayed values | Function | |
|----------------------------------|--|--|--|
| Addr | 001..512 | Set Up DMX Address | |
| Auto (Automatic mode) | co01 co02 co03 co04 co05 co06 co07 co08 co09 co10 co11 co12 co13 co14 co15 co16 co17 co18 co19 co20 co21 co22 co23 co24 co25 co26 co27 co28 co29 co30 co31 co32 co33 co34 co35 co36 co37 co38 co39 co40 | Preset 1 red Preset 2 light red Preset 3 orange Preset 4 medium amber Preset 5 amber Preset 6 straw tint Preset 7 pale yellow Preset 8 spring yellow Preset 9 yellow Preset 10 lemon yellow Preset 11 lime Preset 12 lime green Preset 13 green Preset 14 moss green Preset 15 light cyan Preset 16 cyan Preset 17 peacock blue Preset 18 summer blue Preset 19 bright blue Preset 20 light steel blue Preset 21 light blue Preset 22 slate blue Preset 23 blue Preset 24 deep lavender Preset 25 lavender Preset 26 magenta Preset 27 rose pink Preset 28 dark pink Preset 29 bright pink Preset 30 Rainbow Preset 31 white 2300°k Preset 32 white 2700°k Preset 33 white 3200°k Preset 34 white 4000°k Preset 35 white 5600°k Preset 36 white 6500°k Preset 37 white 7000°k Preset 38 white 8000°k Preset 39 white 9000°k Preset 40 white 10000°k | <p>It's possible to select 30 colored presets and 10 fixed white presets, without the aid of the DMX 512 signal. By selecting the value indicated from co01 to co40 you choose the combined color. When you turn off the projector the selected preset will be saved. In each preset you can change the output color level.</p> <p>Select the preset that needs to be to be changed. If you press once the Enter button, the display will show r (red) with the set value, then if you keep pressing Enter, G (green), b (blue), A (amber), c (cyan), L (lime), S (strobe), n (Rainbow), d (dimmer) will be displayed one by one. Use the Up and Down button to adjust the level of the 6 colors + the 3 functions n (rainbow), S (strobe), d (dimmer), pressing them one by one from 0 to 255, to determine the output color. Always confirm with Enter to save the settings.</p> |
| | Pr01 Pr02 Pr03 Pr04 | Program 1: auto Program 2: auto Program 3: auto Program 4: auto | <p>Automatic mode without DMX 512 Protocol signal. Program selections run between Pr01 through Pr 04. Both programs can be modified. To change program select Enter then view (Scn0...Scn6; max scenes of each program). Clicking on enter once more it shows P.00.0 (time) followed by F.00.0 (speed) and ultimately the last view shows 1c.01... though c40 (colour to be assigned to each scene) The use of UP/Down keys allow for setting values. When selections are completed press enter to confirm.</p> |
| MASL | Master Mode | <p>The Master Mode uses the same settings as the Auto Menu. The only exception is that when all fixtures are connected to DMX 001 in daisy-chain, they perform the same presets and or the same presets selected on the Master fixture. The slave projectors must be set in 9ch mode.</p> | |

| | | | |
|-------------|---|---|---------------------------|
| ModE | 12 ch (D) | RGBACL 12 ch (default) | Dmx mode (view next page) |
| | 2 ch | 2 ch | |
| | 16 ch | RGBACL 16 ch (16 bit) | |
| | 6 ch | RGBACL 6 ch | |
| | RGB | RGB 6 ch | |
| | HSI | Stubio HSI 6 ch | |
| | 9ch | 9 ch | |
| drUt | ..°C | Shows driver operating temperature | |
| LEdt | ..°C | Shows leds operating temperature | |
| PUM | 0..100% | Shows current led power (0-100%) | |
| SMoo | FAST MED SLOW | DMX data Speed adjustment | |
| GAMM | qUAd SCUr qUAd2 LInE |  <p>Dimming curves available</p> | |
| FrEq | 1K 2K 3K 4K 5K 6K 7K 8K 9K 10K | LED operation frequency | |
| booS | Off on | When OFF, LED max flux : 90% When ON, LED max flux : 100% | |
| FAn | Aut MEDH MEDL LOW | 4 fan operating modes i.e atuomatic, medium fast, medium slow, slow speed. Fan speed adjustments (fan-sound) reflect on self-correct output LED brightness and other factors as room-temperature, number of engaged channels | |
| PoS | AA VV | Display orientation selection: AA = normal VV = inverted | |
| StbY | Off on | Standby display activity: off = display always switched on = display switched off after few seconds of buttons inactivity (only the right side dot will be lighted to indicate DMX availability) | |
| dEF | SUrE | ON Will restore the default factory values | |
| SoFt | | Shows Software version | |

DMX Operating Modes (Mode)

Selecting 1 of the 7 available modes it enables the number of channels required, and its relevant modes, needed to operate LITES PROFILE C6

mode 12 ch RGBACL (default)

| Ch | Function | Dmx levels | |
|-----------------------------------|-------------------------------|----------------|--------------------------------------|
| 1 | red | 0..255 | From 0 to max 255 |
| 2 | green | 0..255 | From 0 to max 255 |
| 3 | blue | 0..255 | From 0 to max 255 |
| 4 | amber | 0..255 | From 0 to max 255 |
| 5 | cyan | 0..255 | From 0 to max 255 |
| 6 | lime | 0..255 | From 0 to max 255 |
| 7 | strobe | 0...15 | Strobo disingaged |
| | | 16...255 | Strobo from slow (16) to fast (255) |
| 8 | Rainbow | 0..15 | Rainbow disingaged |
| | | 16..255 | Rainbow from slow (16) to fast (255) |
| 9 | dimmer | 0..255 | From 0 to max 255 |
| 10 (priority on channel 11) | White selection | 0...15 | Deserted whites |
| | | 16...17 | 2300°k cri 93 |
| | | 18...38 | from 2300°k to 2700°k |
| | | 39...40 | 2700°k cri 97 |
| | | 41...61 | from 2700°k to 3200°k |
| | | 62...63 | 3200°k cri 98 |
| | | 64...84 | from 3200°k to 4000°k |
| | | 85...86 | 4000°k cri 95 |
| | | 87...107 | from 4000°k to 5600°k |
| | | 108...109 | 5600°k cri 98 |
| | | 110...130 | from 5600°k to 6500°k |
| | | 131...132 | 6500°k cri 95 |
| | | 133...153 | from 6500°k to 7000°k |
| | | 154...155 | 7000°k cri 93 |
| | | 156...176 | from 7000°k to 8000°k |
| | | 177...178 | 8000°k cri 96 |
| | | 179...199 | from 8000°k to 9000°k |
| | | 200...201 | 9000°k cri 93 |
| | | 202...222 | from 9000°k to 10000°k |
| | 223...225 | 10000°k cri 95 | |
| | 3200°k halogen lamp operation | 226...255 | halogen lamp dimming simulation |
| 11 | Color selection | 0...15 | No color |
| | | 16..23 | red |
| | | 24...31 | light red |
| | | 32...39 | orange |
| | | 40...47 | medium amber |
| | | 48...55 | amber |
| | | 56...63 | straw tint |
| | | 64...71 | pale yellow |
| | | 72...79 | spring yellow |
| | | 80...87 | yellow |
| | | 88...95 | lemon yellow |
| | | 96...103 | lime |
| | | 104...111 | lime green |
| | | 112...119 | green |
| | | 120...127 | moss green |
| | | 128...135 | light cyan |
| | | 136...143 | cyan |
| | | 144...152 | peacock blue |
| | | 153...159 | summer blue |
| | | 160...167 | bright blue |
| | | 168...175 | light steel blue |
| | | 176...183 | light blue |
| | | 184...191 | slate blue |
| | | 192...199 | blue |
| | | 200...207 | deep lavender |
| | | 208...215 | lavender |
| | | 216...223 | magenta |
| | | 224...231 | rose pink |
| 232...239 | dark pink | | |
| 240...247 | bright pink | | |
| 248...255 | FULL RGBACL | | |
| 12 | Fan speed | 0..25 | Auto speed or set from menu |
| | | 26..255 | Fan speed from slow to fast |

mode 2 ch

| | | | |
|---------------------------------|-----------------|--|-------------------|
| 1 | Color selection | 0...15 | No color |
| | | 16...20 | red |
| | | 21...25 | light red |
| | | 26...30 | orange |
| | | 31...35 | medium amber |
| | | 36...40 | amber |
| | | 41...45 | straw tint |
| | | 46...50 | pale yellow |
| | | 51...55 | spring yellow |
| | | 56...60 | yellow |
| | | 61...65 | lemon yellow |
| | | 66...70 | lime |
| | | 71...75 | lime green |
| | | 76...80 | green |
| | | 81...85 | moss green |
| | | 86...90 | light cyan |
| | | 91...95 | cyan |
| | | 96...100 | peacock blue |
| | | 101...105 | summer blue |
| | | 106...110 | bright blue |
| | | 111...115 | light steel blue |
| | | 116...120 | light blue |
| | | 121...125 | slate blue |
| | | 126...130 | blue |
| | | 131...135 | deep lavender |
| | | 136...140 | lavender |
| | | 141...145 | magenta |
| | | 146...150 | rose pink |
| | | 151...155 | dark pink |
| | | 156...160 | bright pink |
| | 161...165 | Full RGBACL | |
| | White selection | 166...170 | white 2300°k |
| | | 171...175 | white 2700°k |
| 176...180 | | white 3200°k | |
| 181...185 | | white 4000°k | |
| 186...190 | | white 5600°k | |
| 191...195 | | white 6500°k | |
| 196...200 | | white 7000°k | |
| 201...205 | | white 8000°k | |
| 206...210 | | white 9000°k | |
| 211...215 | | white 10000°k | |
| Rainbow | 216...225 | Rainbow from slow (191) to fast(229) Sequence rainbow R-G-B-A-C-L | |
| 3200 ° k halogen lamp operation | 226...255 | halogen lamp dimming simulation | |
| 2 | dimmer | 0..255 | From 0 to max 255 |

mode 16 ch RGBACL 16 bit

| Ch | Function | dmx levels | |
|----|-------------|------------|---|
| 1 | red | 0..255 | From 0 to max 255 |
| 2 | Red fine | 0..255 | Red fine tune adjustment |
| 3 | green | 0..255 | From 0 to max 255 |
| 4 | Green fine | 0..255 | Green fine tune adjustment |
| 5 | blue | 0..255 | From 0 to max 255 |
| 6 | Blue fine | 0..255 | Blue fine tune adjustment |
| 7 | amber | 0..255 | From 0 to max 255 |
| 8 | amber fine | 0..255 | amber fine tune adjustment |
| 9 | cyan | 0..255 | From 0 to max 255 |
| 10 | cyan fine | 0..255 | cyan fine tune adjustment |
| 11 | lime | 0..255 | From 0 to max 255 |
| 12 | lime fine | 0..255 | lime fine tune adjustment |
| 13 | strobe | 0..15 | Strobe disingaged |
| | | 16..255 | Strobo from slow (16) to fast (255) |
| 14 | dimmer | 0..255 | From 0 to max 255 |
| 15 | Dimmer fine | 0..255 | Adjustment of global fine light intensity |
| 16 | Fan speed | 0..25 | Auto speed or set from menu |
| | | 26..255 | Fan speed from slow to fast |

mode 6. ch RGBACL

| Ch | Function | dmx levels | |
|----|----------|------------|-------------------|
| 1 | red | 0..255 | From 0 to max 255 |
| 2 | green | 0..255 | From 0 to max 255 |
| 3 | blue | 0..255 | From 0 to max 255 |
| 4 | amber | 0..255 | From 0 to max 255 |
| 5 | cyan | 0..255 | From 0 to max 255 |
| 6 | lime | 0..255 | From 0 to max 255 |

mode 6.RGB 6 ch

| | | | |
|----------|-----------|---------|-------------------------------------|
| 1 | Red | 0..255 | From 0 to max 255 |
| 2 | Green | 0..255 | From 0 to max 255 |
| 3 | Blue | 0..255 | From 0 to max 255 |
| 4 | Dimmer | 0..255 | From 0 to max 255 |
| 5 | strobe | 0..15 | Strobe disingaged |
| | | 16..255 | Strobo from slow (16) to fast (255) |
| 6 | Fan speed | 0..24 | Auto speed or set from menu |
| | | 25..255 | Fan speed from slow to fast |

mode 9 ch

| Ch | Function | dmx levels | |
|----|----------|------------|--------------------------------------|
| 1 | red | 0...255 | From 0 to max 255 |
| 2 | green | 0...255 | From 0 to max 255 |
| 3 | blue | 0...255 | From 0 to max 255 |
| 4 | amber | 0...255 | From 0 to max 255 |
| 5 | cyan | 0...255 | From 0 to max 255 |
| 6 | lime | 0...255 | From 0 to max 255 |
| 7 | strobe | 0...15 | Strobo disingaged |
| | | 16...255 | Strobo from slow (16) to fast (255) |
| 8 | Rainbow | 0...15 | Rainbow disingaged |
| | | 16...255 | Rainbow from slow (16) to fast (255) |
| 9 | dimmer | 0...255 | From 0 to max 255 |

mode 6.HSI STUDIO 6 ch

| | | | |
|--|------------------------|-----------|---|
| 1 | Hue | 0..255 | Hue selection, following levels R, R+L, R+G+L, G+L,G, G+C,G+B+C, B+C, B B+A, R+B+A, R+A, R |
| 2 | Saturation | 0..255 | Color saturation with set color in the Hue channel |
| 3 | Dimmer | 0..255 | From 0 to max 255 |
| 4 | strobo | 0...15 | Strobe disengaged |
| | | 16...255 | Strobo from slow (16) to fast (255) |
| 5 (priority on channel 1) | Selection whites | 0...15 | Whites off |
| | | 16...18 | 2300°k cri 93 |
| | | 19...41 | from 2300°k to 2700°k |
| | | 42...44 | 2700°k cri 97 |
| | | 45...67 | from 2700°k to 3200°k |
| | | 68...70 | 3200°k cri 98 |
| | | 71...93 | from 3200°k to 4000°k |
| | | 94...96 | 4000°k cri 95 |
| | | 97...119 | from 4000°k to 5600°k |
| | | 120...122 | 5600°k cri 98 |
| | | 123...145 | from 5600°k to 6500°k |
| | | 146...148 | 6500°k cri 95 |
| | | 149...171 | from 6500°k to 7000°k |
| | | 172...174 | 7000°k cri 93 |
| | | 175...197 | from 7000°k to 8000°k |
| | | 198...200 | 8000°k cri 96 |
| | | 201...223 | from 8000°k to 9000°k |
| 224...226 | 9000°k cri 93 | | |
| 227...249 | from 9000°k to 10000°k | | |
| 250...255 | 10000°k cri 95 | | |
| 6 | Fan speed | 0..24 | Auto speed or set from menu |
| | | 25..255 | Fan speed from slow to fast |

Error messages

In case of malfunction, the following messages can be shown:

Led sensor error: the sensor on the led is faulty.

Overtemperature LED: the temperature on the LED exceeds the allowed limit, check if the fan is working.

Micro overtemperature: the temperature on the driver board exceeds the allowed limits, check if the fan is working.

Micro sensor error: the sensor on the driver board is faulty.

If these malfunctions occur, the LED turns off.

Avoid using the LITES PROFILE C6 and promptly contact any authorized service centre.

Periodical maintenance

To ensure the correct LITES PROFILE C6 operation, we suggest the following periodical maintenance operations:

Remove dust or any kind of other dirt from the fans and loop-holes, this operation ensures the correct air flow

Remove dust from lenses using a clean cloth. This will ensure the maximum light efficiency

Replace damaged protection screen and lenses when necessary.

Do not touch nor clean the LEDs nor the surrounded area with solvent

Device disposal information

At the end of its life, LITES PROFILE C6 must be disposed to an appropriate electrical and electronic equipment waste collection centre. Eco-friendly disposal, helps to avoid possible negative impact on the environment and human health and promotes the reuse and/or recycling of the materials making up the product. Illegal disposal involves administrative sanctions provided by laws enacted.



Note

Manufacture declines any sort of personal/corporate responsibility/liability for damages caused by people that are not scrupulously following indications given in this manual as for the inadequacy or for misuse of the product they do, as well as if the product has been handled by unqualified personnel. Not complying with security norms/periodical maintenance and all information contained and as expressed in the owner's/service manual will also totally free personal/corporate responsibility/liability. Text, wordings, drawings, specifications, modifications and other changes of this manual may apply anytime without notice. The specifications are not binding.

Lites Profile C6 color 06/12/2020 rev.00