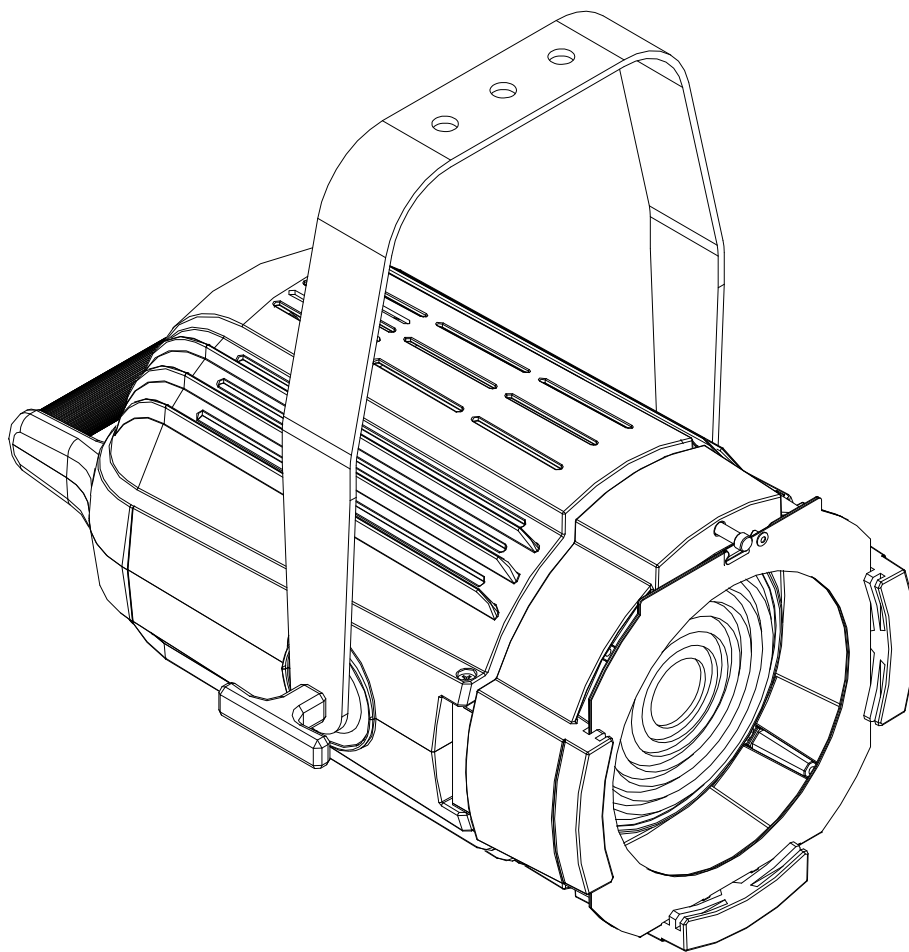


Lites

Lites F200 c5

Colour RGBWA

Owners 's & Service manual



Read this manual totally and carefully follow all the instructions contained. File this manual for future use. It is essential to read all the information contained to ensure installation, service and full operation of the LitesF200.

All operations must be accomplished, handled and carried out by qualified personnel only. Not complying with given notice will void warranty and will free manufacturer from any liability/responsability

www.litesrl.com

Unpacking

Unpack the carton and gently remove Lites F200 from the box. Ensure Lites F200 received is integer from origin in all its components.

In the event the Lites F200 shows any damage, do not use it and contact immediately your transporter as well as your seller.

Items in the carton consist of:

- Lites F200 C5 luminaire
- Colour frame
- Blue Neutrik PowerCon connector
- This owner's and service manual

Safety information for the use of the Lites F200 as well as its periodical maintenance”

- Lites F200 is for professional use only and NEVER for domestic use therefore refrain from this latter utilisation.
- Users must scrupulously comply with information that follows, any other use in contrast will void warranty and will free the manufacturer of any sort of responsibility and liability.
- Never use Lites F200 on any flammable surfaces.
- Minimum distance from any flammable source is of 0.25m.
- Minimum throw distance from illuminated surface: 0.5m.
- Installation of the unit(s) must be secured with adequate clamps, safety cords, nuts and bolts to bear the weight of the whole unit(s)
- Always Power Lites F200 to safety circuit breakers. Lites F200 must NOT and CAN NOT be operated via Phase Control Dimmer.
- Install Lites F200 in ventilated ambient which temperature must not trespass 35°C
- Some outer parts of the LitesF200 can reach temperatures of up to 60C° when in operation.
- Lites F200 must be fitted with protection shields (Lenses)
- On no account, directly or indirectly, LED must be touched
- Always disconnect power, (always double check that power is off) before any Service/Operation of the unit.
- Lites F200 is rated Class I.
- Earth connection is MANDATORY!

An essential and periodically throughout cleaning of the Lites F200 is recommended. This practice avoids that layers of dust and other impurities jeopardise and reduce the correct operation of the unit. Lenses must be cleaned to remove layers of dust that may impede and or reduce the passage of the light through the lenses. The correct and periodically maintenance keeps also fans and vents clean to keep the LitesF200 in its best performance conditions. Never touch the Yellow core of the LED both directly or indirectly nor use solvents that can damage the LED irremediably. Protection shields if battered, must be replaced with new ones (Lenses)


CE APPROVALS

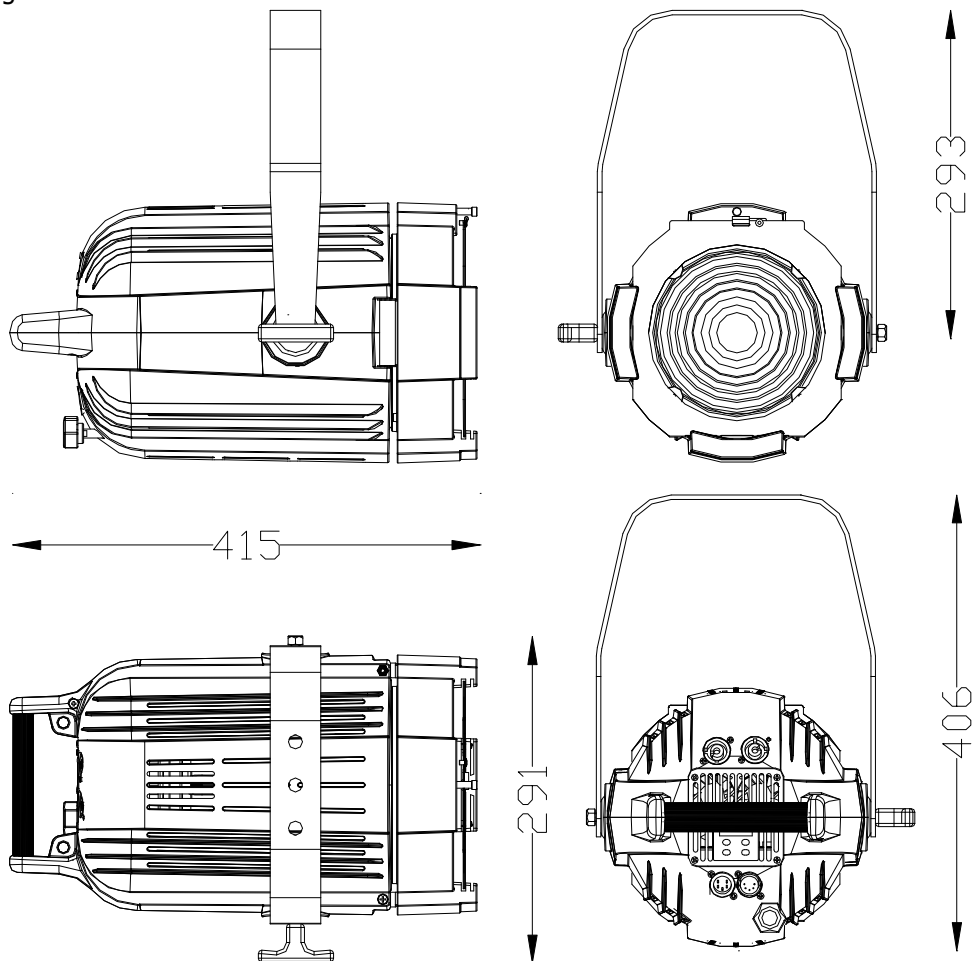
The Lites F200 products to which this manual refers to, complies with European directive pursuant to:
2014/35/EU safety of electrical equipment supplied at low voltage (LVD)
2014/30/EU Electromagnetic compatibility (EMC)
2011/65/EU Restriction of the use of certain hazardous substances (RoHS)

WARRANTY

A 12-month warranty is granted on the LitesF200 from its purchase's date. Warranty covers fabrication defects only, unit will not be replaced but will be 100% fixed. Warranty is immediately voided if the Lites F200 has not been handled by qualified personnel. Any improper and unauthorised use, such modification(s) or misapplication of the unit will also void the warranty of the product(s). Silver colour label showing technical data and serial number, if removed or if data are impaired to render details illegible, will immediately void the warranty.

Technical specifications

Power Supply:	100/240V~ 50/60Hz (autosetting)
Maximum power consumption	200W
Stand-by power consumption	5W
Led RGBWA	(Red ,green, blue ,white 6500°k, ambra)
Fresnel Lens: Ø 150mm	
Colour frame dimensions: 195x185 mm (the use of standard 185x185mm colour frame is totally accettable)	
Aluminium die-caste body to maximize heat dissipation	
Operating temperature range:	-15°C + 35° C
Maxium temperature on the Lites F200	+60°C
Weight of the unit: Kg 6,9	
Worm-gear beam adjustment on standard Lites200F	
Rear handle for good grip of unit ; side-lock on mounting yoke to adjust and set unit to position.	
Beam angle: 20°-60°	
Working position: +90°/-90° on vertical axe	
Protection rating: IP 20	
DMX 512 , RDM, Protocols (wireless on request)	
Neutrik powercon IN & OUT connectors	
Neutrik XRL5 IN & OUT signal connectors	
4-digit display	
Manual operation via 4-digit display	
Idle fan mode for totally silent use of the unit.	
Adjustable LED frequency	
Selection of two LED dimming curves	
Comply with 	
Dimensions: see figure	

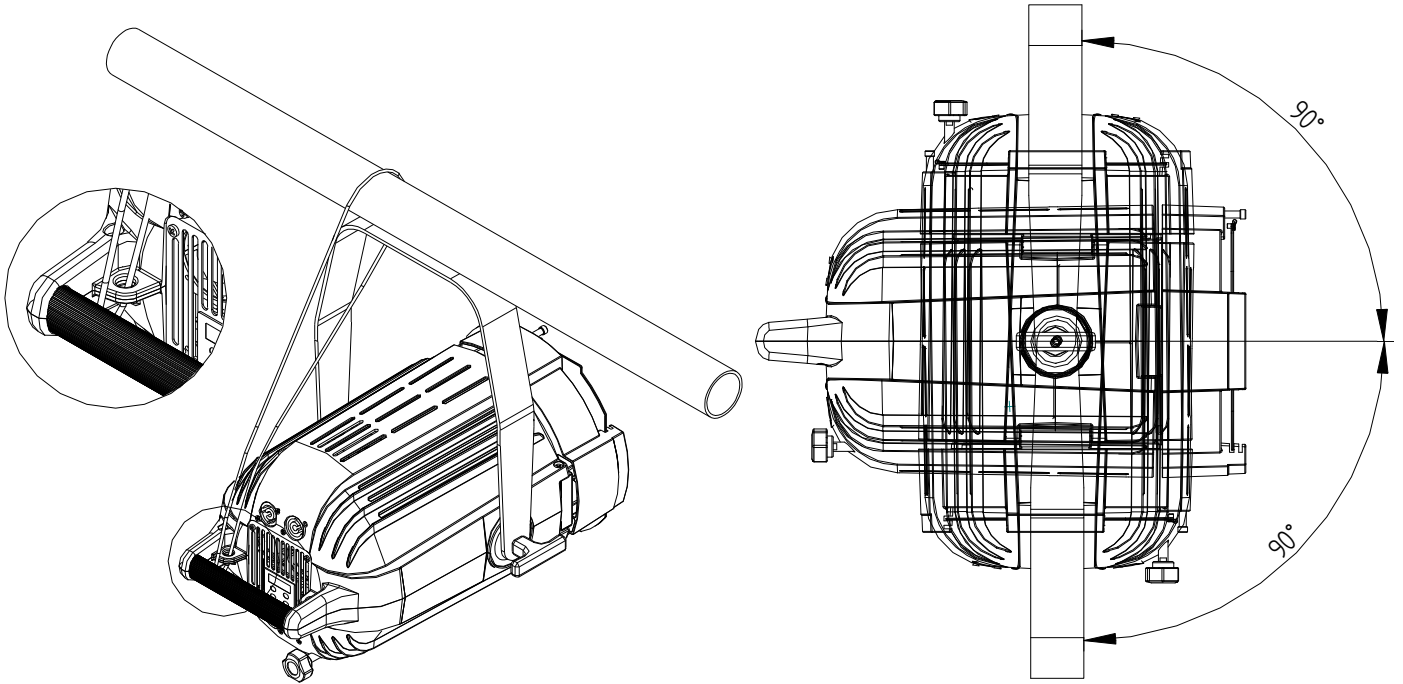


Lites200F installation

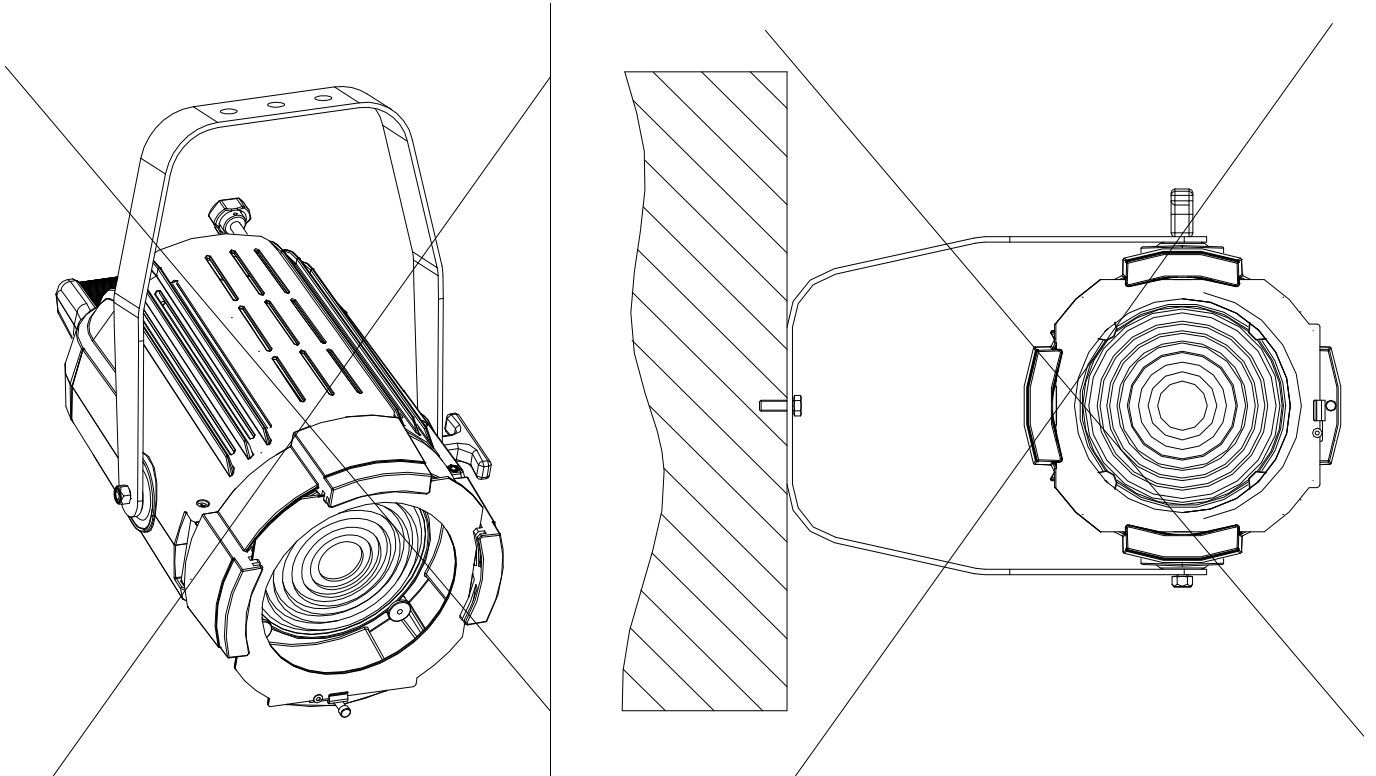
Lites F200 is delivered with a robust yoke which hosts 3 x 12 mm mounting holes.

The use of an adequate G-clamp to sustain at least twice the weight of the Lites F200 (Lites200F weighs 6,9 kg) and/or M10 screw is mandatory. The use of safety chain(s) to sustain twice the weight of the Lites F200 is also mandatory, the safety chain adds more protections to users and third-parties. Eye-lid for the safety chain is provided on the Lites F200. (see Fig)

The Lites F200 yoke revolves on 360° on the projector's axis. Lites F200 can be installed $\pm 90^\circ$ on the vertical axis. (see Fig.). Best Lites F200 's performances are achieved if unit is installed as shown in the illustrations that follows. (never install Lites F200 upsidedown, illustrations that follows show installation positions that must be avoided) . Incorrect installation(s) can, immediately or in short/long terms, jeopardise the correct operation of the Lites F200. Incorrect installations may void the warranty of the unit.

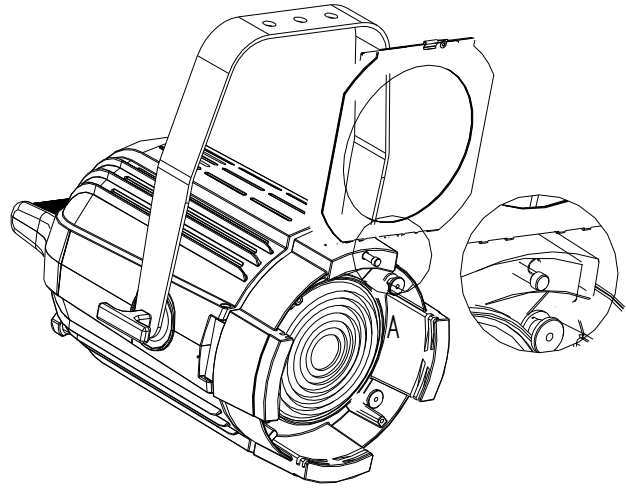


AVOID INCORRECT INSTALLATIONS AS ILLUSTRATED



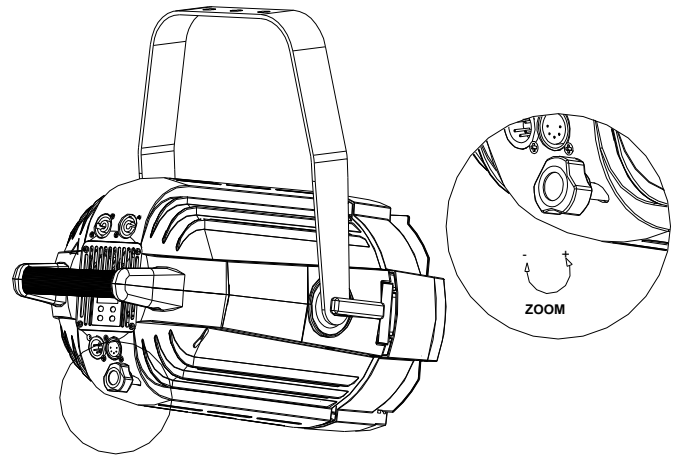
Installations of the accessories

Lites F200 is delivered with a standard 195x185mm colour frame (standard colour frame 185x185 can also be used). The LED source used on LitesF200 allows the use of colour filters that cannot be used with high wattage tungstene lamps which would impair colour filters. Optional and standard 185x185 mm 4-leaf-barndoor can also be installed in the provided gates. Ensure that accessories when installed on the LitesF200 are securely fitted in the gates and that they are triggered and secured by the spring-lock provided. (see figure)



Beam adjustment

Lites F200 can revolve $\pm 90^\circ$ upwards and $\pm 90^\circ$ downwards on the axis of the luminaire. When correct position is set to position, secure it by tightening the provided side knob. Beam adjustment is achieved via rear Helicoidal screw. Turn clockwise to narrow beam, conversely beam widens.



Connection to mains

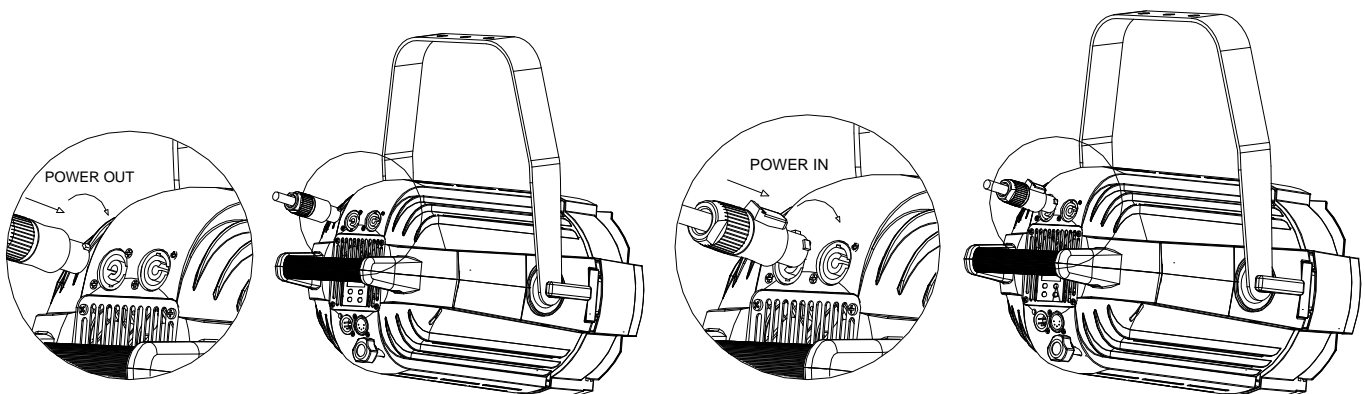
WARNING ! Installation(s) must be accomplished, handled and carried out by qualified personnel only and must comply with all norms in force in the installation's country

Lites F200 is supplied with a free Blue Neutrik PowerCon plug that must be wired using a $3 \times 1.5 \text{mm}^2$ lead, additional specifications include:

- Operating Voltage: 300/500V
- Test Voltage: 2KV
- Operating Temperature: -10°C / $+100^\circ\text{C}$

Connect blue wire to N terminal, brown wire to L terminal and Yellow/Green wire to earth terminal. (see also illustration fig) Ensure connections to safety circuit breaker at all times. Daisy chain of up to maximum 8 units if connected to 230VAC. Daisy chain of up to maximum 4 units when connected to 110VAC. Maximum daisy chain length: 25m.

WARNING: LitesF200 CANNOT be powered by using an angle phase dimmer pack



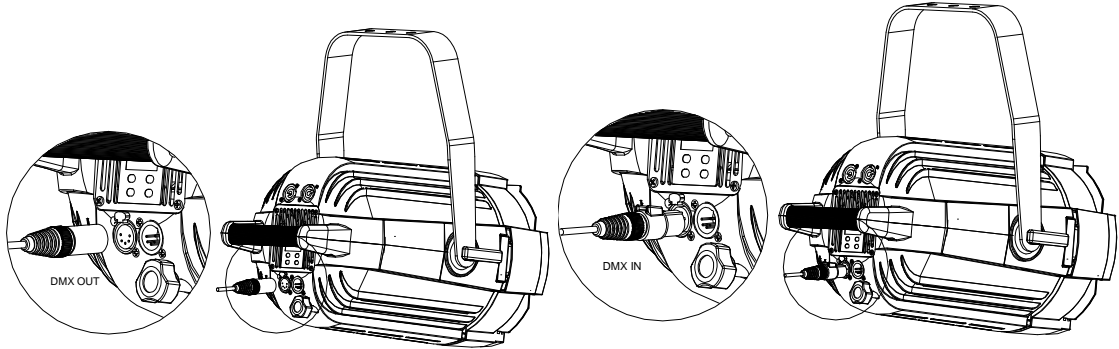
Signal Control Connection

Lites F200 can be operated via either DMX512A and or RDM ready . For dasy chain connection use a -2 x 0,5 mm² size lead wire plus shield. Connect Pin 1 to ground, 2= data – while Pin 3 = data +. Pins 4 & 5 are not connected. Ensure that DMX wires and shield do not interfere,nor touch each other as well as they must not touch/interfere with the body of the unit . (DMX connectors are not provided)

Important note: when DMX is available a red dot will illuminate on the right hand of the display.When red dot is off no DMX signal is available.

WARNING ! Before powering Lites F200 ensure that all installation(s) procedure(s) have(s) been properly set and accomplished

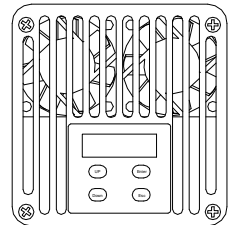
XLR5 connection	
leads	description
1	GND
2	DMX-
3	DMX+
4	NC
5	NC



Projector mode settings

When Lites F200 is powered, setup-display will show the software release version The UP, DOWN, ENTER and ESC buttons will allow the operations of the Lites F200 menu. UP and DOWN buttons allow to scan menu options, ENTER button allow to select. The ESC button is to return to the previous menu or to quit the previous setting.

Menu items



Displayed message	Allowed or displayed values	Mode	
Addr	001..510	DMX address : as of 1 to 511	
Auto (Automatic mode)	co01 co02 co03 co04 co05 co06 co07 co08 co09 co10 co11 co12	Preset 1 red Preset 2 orange Preset 3 yellow Preset 4 c light green Preset 5 green Preset 6 cyan Preset 7 light blue Preset 8 blue Preset 9 dark blue Preset 10 fuchsia Preset 11 magenta Preset 12 white Preset 13 Amber	Values between co001 through co13 allow for fixed white set-up without DMX 512 protocol signal. When fixture is turned, the last selected preset will be held
	Pr01 Pr02 Pr03 Pr04 Pr05 Pr06 Pr07 Pr08	Program 1: auto Program 2 : auto Program 3: auto Program 4 : auto Program 5: auto Program 6 : auto Program 7: auto Program 8 : auto	Automatic mode without DMX 512 Protocol signal. Program selections run between Pr01 through Pr 08 Both programs can be modified. To change program select Enter then view (Scn0...Scn9; max scenes of each program). Clicking on enter once more it shows P.00.0 (time) followed by F.00.0 (speed) and ultimately the last view shows 1c.01... though c12 (colour to be assigned to each scene) The use of UP/Down keys allow for setting values. When selections are completed press enter to confirm
MaSL		Master Mode The Master Mode uses the same settings as the Auto Menu. The only exception is that when all fixtures are connected to DMX 001 in daisy-chain, they perform the same presets and or the same presets selected on the Master fixture	

Mode	8 ch (D)	RGBAW 8 ch (default)	Dmx mode (view next page)
	2.ch	2 ch	
	14 ch	RGBAW 14 ch (16 bit)	
	5 ch	RGBAW 5 ch	
drUt	..°C	Shows driver operating temperature	
LEdt	..°C	Shows leds operating temperature	
PUM	0..100%	Shows current led power (0-100%)	
SMOO	FAST MED SLOW	DMX data Speed adjustment	
GAMM	LInE qUAd	Dimmer profile selection: - LinE for linear dimming regulation - qUAd for tungsten lamp emulation)	
FREQ	1K 2K 3K 4K 5K 6K 7K 8K 9K 10K	LED operation frequency	
booS	Off on	Boost selection: off = maximum led power at 90% on = maximum led power at 100%	
FAn	VEL MEDL LOW(D)	3 fan operating modes i.e automatic, fast, medium slow, slow speed. Fan speed adjustments (fan-sound) reflect on self-correct output LED brightness and other factors as room-temperature, number of engaged channels	
StbY	Off on	Standby display activity: off = display always switched on on = display switched off after few seconds of buttons inactivity (only the right side dot will be lighted to indicate DMX availability)	
dEF	Off on	ON Will restore the default factory values	
SoFt		Shows Software version	

DMX Operating Modes (Mode)

Selecting 1 of the 4 available modes it enables the number of channels required, and its relevant modes, needed to operate Lites F200 C5

mode 8 ch RGBWA (default)

Ch	Function	dmx levels	
1	red	0..255	From 0 to max 255
2	green	0..255	From 0 to max 255
3	blue	0..255	From 0 to max 255
4	white	0..255	From 0 to max 255
5	amber	0..255	From 0 to max 255
6	strobe	0...15	Strobo disingaged
		16...255	Strobo from slow (16) to fast (255)
7	Rainbow	0..15	Rainbow disingaged
		16..255	Rainbow from slow (16) to fast (255)
8	dimmer	0..255	From 0 to max 255

mode 2 ch

Ch	Function	dmx levels	
1	Rainbow	0...15	OFF position
		16...141	Set colours from red (16) to... Magenta (141)
		142...190	Colori fissi da white (142) a ambra (190)
		191...246	From slow Rainbow (192) to fast (247)
		247...255	Sequence rainbow R-G-B-R-W-A-W
2	dimmer	0..255	From 0 to max 255

mode 14 ch RGBWA 16 bit

Ch	Function	dmx levels	
1	red	0..255	From 0 to max 255
2	Red fine	0..255	Red fine tune adjustment
3	green	0..255	From 0 to max 255
4	Green fine	0..255	Green fine tune adjustment
5	blue	0..255	From 0 to max 255
6	Blue fine	0..255	Blue fine tune adjustment
7	white	0..255	From 0 to max 255
8	White fine	0..255	white fine tune adjustment
9	Amber	0..255	From 0 to max 255
10	Amber fine	0..255	Ambrer fine tune adjustment
11	strobe	0..15	Strobe disingaged
		16..255	Strobo from slow (16) to fast (255)
12	Rainbow	0..15	Rainbow disingaged
		16..255	Rainbow from slow (16) to fast (255) rainbow R-G-B-R-W-A-W
13	dimmer	0..255	From 0 to max 255
14	Dimmer fine	0..255	Adjustment of global fine light intensity

mode 5. ch RGBWA

Ch	Function	dmx levels	
1	red	0..255	From 0 to max 255
2	green	0..255	From 0 to max 255
3	blue	0..255	From 0 to max 255
4	white	0..255	From 0 to max 255
5	Amber	0..255	From 0 to max 255

Error messages

In case of malfunction, the following messages may be shown:

LED ERROR : symption of a possible short-circuit on LED driver.

TEMPERATURE ERROR: symption that sensors have measured temperature below -15°C or failure on NTC- in such event LED will switch to off mode. Should any of the above given messages occur, for precaution measures the LED will always switch to off mode. Halt the unit immediately and refrain from the use of it and promptly contact any authorized service centre.

Periodical maintenance

To ensure the correct Lites F200 's operations we suggest the following periodical maintenance operations:

Remove dust or any kind of other dirty from the fans and loop-holes to ensure the correct air flow

Remove dust from lenses using a clean cloth. This maintenace will ensure the maximum light efficiency

Replace damaged protection screens and lenses when necessary

Always handle LitesF200 gently and with care, do not drop, do not shake do not cause shocks to the unit as it could damage it irremediably.

Do not touch nor clean the LEDs nor the sourranded area with solvent**Device disposal information**

At the end of its life, Lites F200 must be disposed to an appropriate electrical and electronic equipment waste collection centre. Eco-friendly disposal, helps to avoid possible negative impact on the environment and human health and promotes the reuse and/or recycling of the materials making up the product. Illegal disposal involves administrative sanctions provided by laws enacted.



Manufacture declines any sort of personal/corporate responsibility/liability for damages caused by the inadequate use of the product as well as if unqualified personnel have handled the product. Not complying with security norms/periodical maintenance as expressed in the owner's/service manual will also totally free personal/corporate responsibility/liability.